

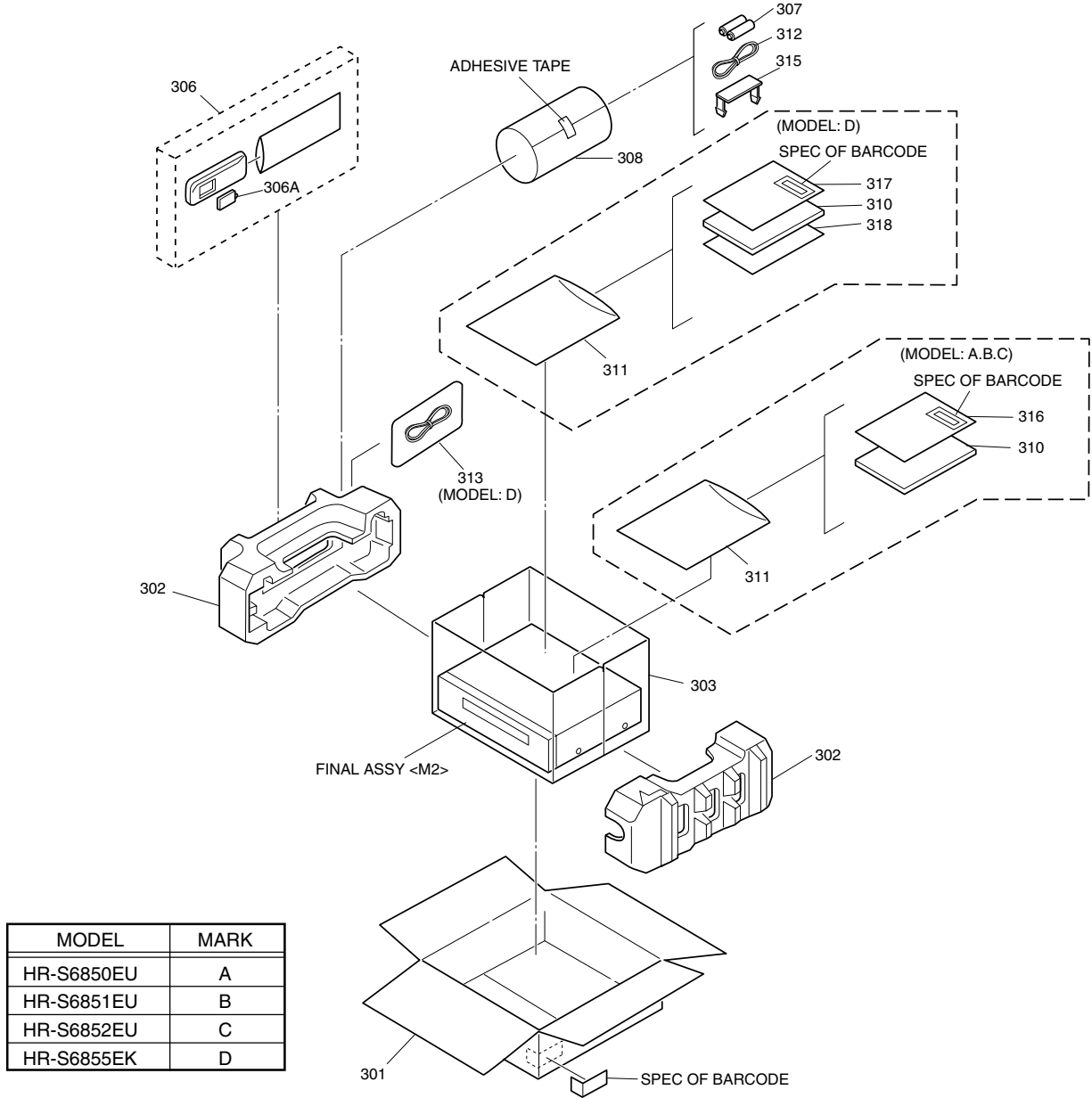
SECTION 5 PARTS LIST

SAFETY PRECAUTION

Parts identified by the \triangle symbol are critical for safety. Replace only with specified part numbers.

5.1 PACKING AND ACCESSORY ASSEMBLY <M1>

The instruction manual to be provided with this product will differ according to the destination.



MODEL	MARK
HR-S6850EU	A
HR-S6851EU	B
HR-S6852EU	C
HR-S6855EK	D

\triangle REF No. PART No. PART NAME, DESCRIPTION

PACKING AND ACCESSORY ASSEMBLY <M1>

301	LP30855-002B	PACKING CASE
302	LP30909-001C	CUSHION ASSY
303	PQM30021-93	POLY BAG
306	LP20878-010A	REMOTE CONTROLLER,A,B,D
	LP20878-011A	REMOTE CONTROLLER,C
306A	LP40610-001A	COVER(BATTERY),C
	LP40610-002A	COVER(BATTERY),A,B,D
307	-	BATTERY,X2("R6"TYPE)
308	QPC02202230P	POLY BAG

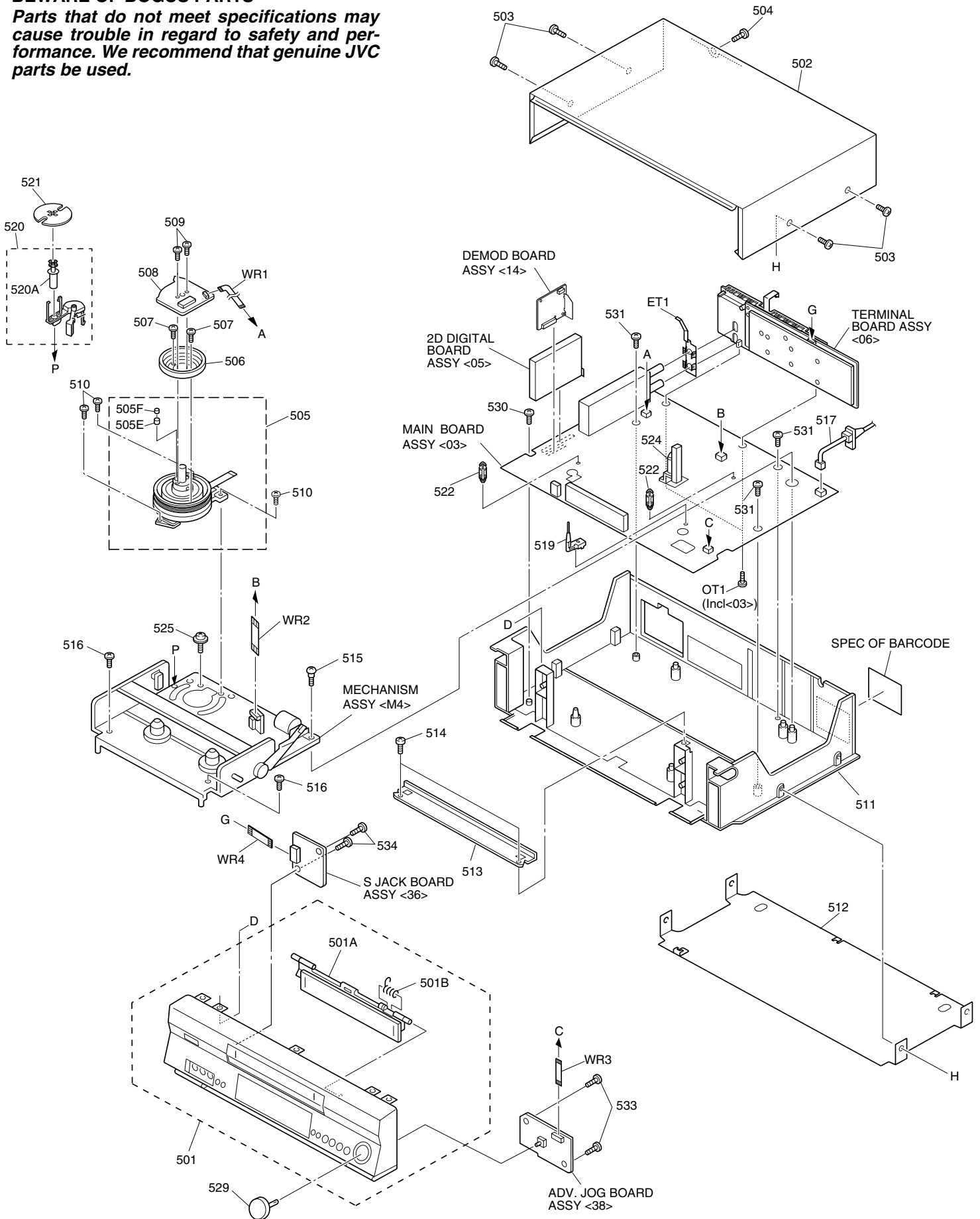
\triangle REF No. PART No. PART NAME, DESCRIPTION

\triangle	310	LPT0485-001A	INST BOOK(EN),A,B,C
\triangle		LPT0485-002A	INST BOOK(GE),A,B,C
\triangle		LPT0546-001B	INST BOOK(EN),D
	311	QPC02503530P	POLY BAG
	312	PEAC0300-02	RF CABLE
	313	QAL0095-005	LED CABLE ASSY,D
	315	LP30809-001B	CAP(JACK)
	316	BT-54013-2	WARRANTY CARD,A,B,C
	317	BT-54008-2	GUARANTY CARD,D
	318	LYT0194-001B	Q.CARD(JUK),D

5.2 FINAL ASSEMBLY <M2>

BEWARE OF BOGUS PARTS

Parts that do not meet specifications may cause trouble in regard to safety and performance. We recommend that genuine JVC parts be used.



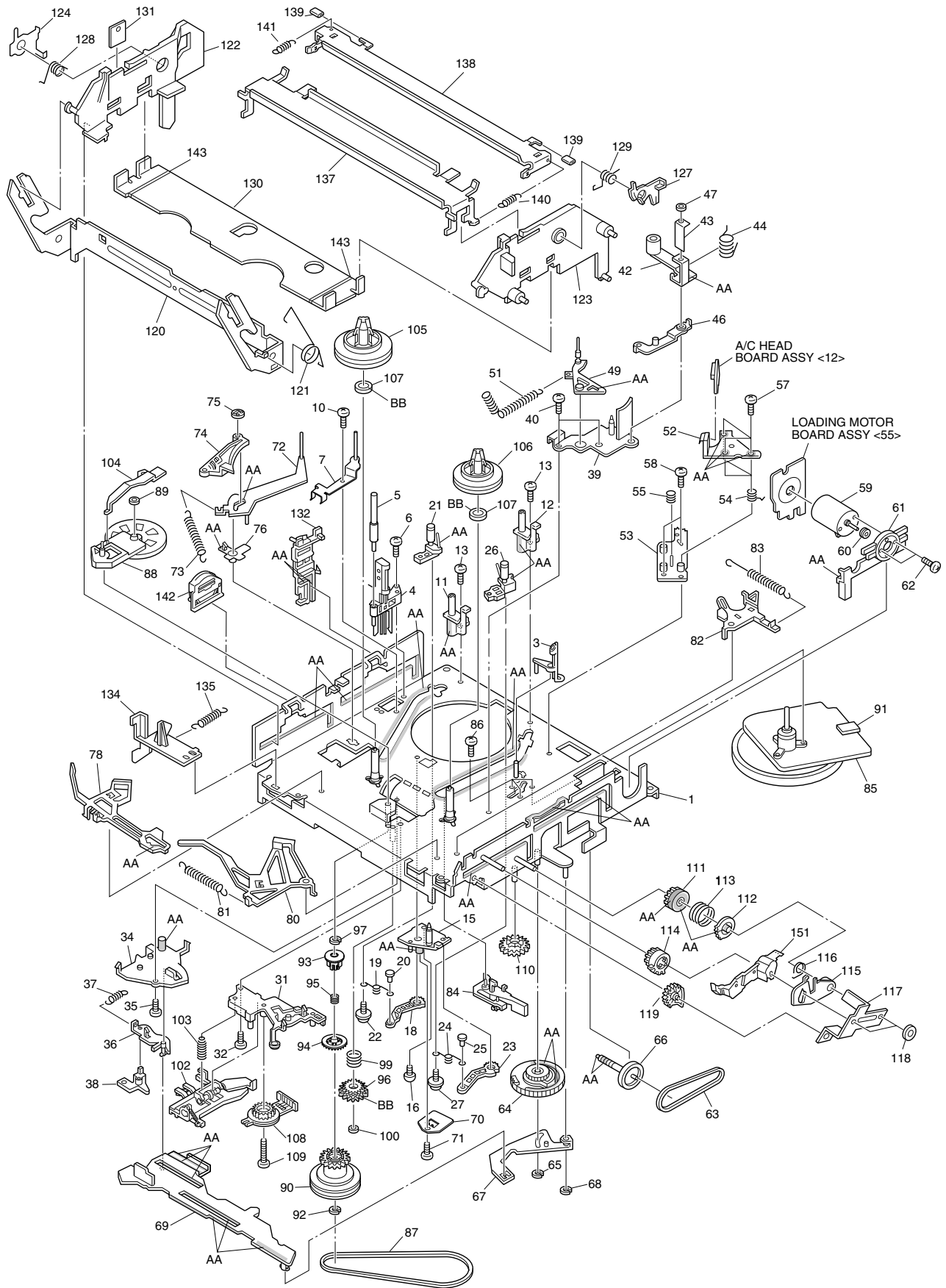
▲ REF No. PART No. PART NAME, DESCRIPTION

▲ REF No. PART No. PART NAME, DESCRIPTION

FINAL ASSEMBLY <M2>

▲	501	LP10333-017E	FRONT PANEL ASSY,D
▲		LP10333-023C	FRONT PANEL ASSY,C
▲		LP10333-026C	FRONT PANEL ASSY,B
▲		LP10333-025C	FRONT PANEL ASSY,A
	501A	LP20961-011B	CASSETTE DOOR,C
		LP20961-007B	CASSETTE DOOR,A,B,D
	501B	PQ46448	TORSION SPRING
▲	502	LP10013-023D	TOP COVER,C
▲		LP10013-051A	TOP COVER,A,B,D
	503	QYTDSF3010M	SCREW,X4 TOP COVER(SIDE),C
		QYTDSF3010R	SCREW,X4 TOP COVER(SIDE),A,B,D
	504	QYTDSF3010M	SCREW, TOP COVER(REAR)
	505	LP20981-011A	DRUM SUB ASSY
	505E	LP40323-001A	CONTACT
	505F	LP30004-014A	COMPRESSION SPRING
	506	PDZ0179-1-4	ROTOR ASSY
	507	QYSPSP3006Z	SCREW,X2
▲	508	QAR0169-002	STATOR ASSY
	509	QYSPSPH2606Z	SCREW,X2
	510	QYTDST2610Z	SCREW,X3 DRUM
▲	511	LP10108-016E	BOTTOM CHASSIS
	512	LP10014-002B	BOTTOM COVER
	513	LP30312-001B	BRACKET(CHASSIS)
	514	QYTDSF3010Z	SCREW,X2
	515	LP40700-001A	SPECIAL SCREW,MECHA
	516	QYTDSF3010Z	SCREW,X2 MECHA
▲	517	QMP4A10-170	POWER CORD,A,B,C
▲		QMP51K0-170-K	POWER CORD,D
	519	LP40407-001A	KNOB ASSY
	520	LP40370-001E	ROLLER ARM ASSY
	520A	PDM4311A-1	ROLLER ASSY
	521	PQ45160	INERTIA PLATE
	522	LP40226-001A	PC SUPPORT,X2
	524	LP40253-001B	STOPPER
	525	PQ40413	SPECIAL SCREW,MECHA
	529	LP31019-001C	KNOB ASSY,A,B,D
		LP31019-004C	KNOB ASSY,C
	530	QYTDSF3010Z	SCREW,MAIN
	531	DPSF3010Z	SCREW,X3 MAIN
	533	QYTSPFG2608Z	SCREW,X2 A/J
	534	QYTDSF2608Z	SCREW,X2 S JACK
	WR1	QUQ212-0524CG	FFC WIRE,DRUM CN3001
	WR2	WJT0005-001A	E-CARD WIRE,A/C HEAD CN2001
	WR3	QUQ112-0914CG	FFC WIRE,A/J CN7001
	WR4	QUQ212-0456CG	FFC WIRE,S JACK CN916

5.3 MECHANISM ASSEMBLY <M4>



Classification	Part No.	Symbol in drawing
Grease	KYODO-SH-P	AA
Oil	COSMO-HV56	BB

NOTE:The section marked in **AA** and **BB** indicate lubrication and greasing areas.

#	△	REF No.	PART No.	PART NAME, DESCRIPTION	#	△	REF No.	PART No.	PART NAME, DESCRIPTION

MECHANISM ASSEMBLY <M4>									
1			LP20821-006A	MAIN DECK ASSY	75			PQ46302-1-3	ADJUST PIN
3			LP30492-002B	GUIDE POLE GUARD	76			LP30232-002A	TENSION ARM BEARING
4			NAH0001-001	FULL ERASE HEAD	78			LP40532-008B	MAIN BRAKE ASSY (SUPPLY)
5			LP40098-001B	GUIDE POLE(SUPPLY)	80			LP40111-011A	MAIN BRAKE ASSY (TAKE UP)
6			QYTDST2608Z	SCREW,FE HEAD	81			LP30003-026A	TENSION SPRING
7			LP40637-002A	TENSION STUD BASE ASSY	82			LP40112-001F	SUB BRAKE ASSY(TAKE UP)
10			QYTDST2606Z	SCREW	83			LP40357-002A	TENSION SPRING
11			LP30409-002C	UV CATCHER 2(SUPPLY)	84			LP40461-001A	CAPSTAN BRAKE ASSY
12			LP30409-002C	UV CATCHER 2(TAKE UP)	85			QAR0087-005	CAPSTAN MOTOR
13			QYTPST2606Z	SCREW,X2	86			QYTDST2606M	SCREW,X3
15			LP30223-003C	LOADING ARM GEAR SHAFT	87			LP30005-007A	BELT,CAPSTAN MOTOR
16			QYTDST2606Z	SCREW	88			LP40114-012A	IDLER ARM ASSY
18			LP30224-001B	LOADING ARM GEAR(SUPPLY)	89			LP40599-001A	WASHER
19			LP40099-001A	TORSION ARM	90			LP40593-001A	CLUTCH UNIT 3
20			LP40100-001A	PIN	91			LP30002-097A	SPACER,CAPSTAN MOTOR
21			LP40101-006A	POLE BASE ASSY(SUPPLY)	92			PQM30017-47	SLIT WASHER
22			QYSPSTG2606Z	SCREW	93			LP30696-002A	CLUTCH GEAR 4
23			LP40103-002B	LOADING ARM GEAR(TAKE UP)	94			LP30697-003A	COUPLING GEAR
24			LP40099-001A	TORSION ARM	95			LP40554-002A	COMPRESSION SPRING
25			LP40100-002A	PIN	96			LP40442-001A	DIRECT GEAR
26			LP40104-006A	POLE BASE ASSY(TAKE UP)	97			LP30017-019A	SPACER
27			QYSPSTG2606Z	SCREW	99			LP40483-002A	COMPRESSION SPRING
31			LP20233-004B	ROTARY ENCODER GUIDE	100			LP30016-001A	SLIT WASHER
32			QYTPST2606Z	SCREW	102			LP40484-001J	CHANGE LEVER ASSY
34			LP30226-004E	CONTROL PLATE GUIDE	103			LP40512-002B	COMPRESSION SPRING
35			QYTPST2605Z	SCREW	104			LP30236-002C	IDLER LEVER
36			LP30249-003B	TAKE UP LEVER	105			LP20237-001B	REEL DISK (SUPPLY)
37			LP30003-006A	TENSION SPRING	106			LP20238-001B	REEL DISK (TAKE UP)
38			LP40119-002A	TAKE UP HEAD	107			LP30017-015A	SPACER,X2
39			LP20234-004B	LID GUIDE	108			QSW0554-003	ROTARY ENCODER
40			QYTDST2606Z	SCREW,X2	109			QYTPST2620Z	SCREW
42			LP40105-003A	PINCH ROLLER ARM ASSY	110			LP30237-002B	CASSETTE GEAR
43			LP40753-001A	PINCH ROLLER SHEET3	111			LP30239-002G	LIMIT GEAR(1)
44			LP40148-002A	TORSION SPRING	112			LP30240-002G	LIMIT GEAR(2)
46			LP40149-001C	PRESS LEVER ASSY	113			LP40136-001E	TORSION SPRING
49			LP40106-007A	GUIDE ARM ASSY	114			LP30242-002A	RELAY GEAR
51			LP40134-002A	TENSION SPRING	115			LP30339-002E	OPENER GUIDE
52			QAH0058-001	AC HEAD	116			LP40545-001A	TORSION SPRING
53			LP30228-001C	HEAD BASE	117			LP40214-001B	C.H.BRACKET
54			LP30004-013A	COMPRESSION SPRING,X3	118			PQM30017-47	SLIT WASHER,X2
55			LP40236-001A	COMPRESSION SPRING	119			LP30243-002A	DRIVE GEAR
57			LP40213-002B	SPECIAL SCREW,X3	120			LP20240-001G	DRIVE ARM
58			QYTDST2608Z	SCREW,X2	121			LP40137-001A	TORSION SPRING
59			QAR0023-001	LOADING MOTOR	122			LP10081-002L	SIDE HOLDER(L)
60			PQ43546-1-2	MOTOR PULLEY	123			LP10082-002M	SIDE HOLDER(R)
61			LP30230-001B	MOTOR GUIDE	124			LP30255-006A	LOCK LEVER(L)
62			QYTPSP3003Z	SCREW,X2	127			LP30256-001H	LOCK LEVER(R)
63			LP30005-003A	BELT,LOADING MOTOR	128			LP40168-003A	TORSION SPRING(L)
64			LP20791-002D	CONTROL CAM	129			LP40218-001B	TORSION SPRING(R)
65			PQM30017-24	SLIT WASHER	130			LP30257-001G	CASSETTE HOLDER
66			LP40120-001A	WORM GEAR	131			LP40852-001A	EARTH PLATE
67			LP40107-002A	LINK LEVER ASSY	132			LP30244-002G	GUIDE RAIL
68			PQM30017-24	SLIT WASHER	134			LP30245-002F	REC SAFETY LEVER
69			LP10201-003G	CONTROL PLATE	135			LP30003-004A	TENSION SPRING
70			LP40379-001B	CONTROL BRACKET(1)	137			LP20578-001C	TOP GUIDE
71			QYTDST2608M	SCREW	138			LP30500-001C	HOLD PLATE
72			LP40108-002A	TENSION ARM ASSY	139			LP40450-003A	PAD,X2
73			LP30003-010A	TENSION SPRING	140			LP30003-025B	TENSION SPRING
74			LP40109-003D	TENSION BRAKE ASSY	141			LP30003-024A	TENSION SPRING
					142			LP40481-003A	ROLLER CAM ASSY
					143			LP30019-014A	PAD,X2
					152			LP20324-003B	DOOR OPENER

5.4 ELECTRICAL PARTS LIST

#	△ REF No.	PART No.	PART NAME, DESCRIPTION

MAIN BOARD ASSEMBLY <03>			
PW1		LPA10140-01B	MAIN BOARD ASSY
IC1		JCP8050-MSA	IC
IC201		LC74775-9750	IC
IC3001		HD6432194SBD11F	IC (MCU)
IC3002		IC-PST3427U-X	IC
IC3003		24LC32A-I/SN-X	IC
		or HN58X2432FPI	IC
		or BR24C32F	IC
IC3004		BA6956AN	IC
IC5301		L5431	IC
		or MM1431AT	IC
		or UTCTL431	IC
IC7001		PT6312LQ	IC
		or UPD16312GB/H/	IC
IC7003		GP1U291Q	IR DETECT UNIT
		or PIC-28143LJ	IR DETECT UNIT
		or PIC-37143LJ	IR DETECT UNIT
		or PNA4652M00YC	IR DETECT UNIT
Q1		2SC4081/S/-X	TRANSISTOR
Q2		2SC4081/S/-X	TRANSISTOR
Q3		2SC4081/S/-X	TRANSISTOR
Q4		2SC4081/S/-X	TRANSISTOR
Q5		2SB1218A/QR/-X	TRANSISTOR
		or 2SA1576A/QR/-X	TRANSISTOR
		or 2PA1576/R/-X	TRANSISTOR
Q7		2SD1819A/QRS/-X	TRANSISTOR
		or 2SC4081/QRS/-X	TRANSISTOR
		or 2PC4081/R/-X	TRANSISTOR
Q8		2SD1819A/QRS/-X	TRANSISTOR
		or 2PC4081/R/-X	TRANSISTOR
		or 2SC4081/QRS/-X	TRANSISTOR
Q9		2SB1218A/QR/-X	TRANSISTOR
		or 2SA1576A/QR/-X	TRANSISTOR
		or 2PA1576/R/-X	TRANSISTOR
Q10		2SA1576A/QR/-X	TRANSISTOR
Q11		DTC144WU	TRANSISTOR
		or PDTC144WU	TRANSISTOR
		or RN1309	TRANSISTOR
		or UN521E	TRANSISTOR
Q17		DTC144WU	TRANSISTOR
		or PDTC144WU	TRANSISTOR
		or RN1309	TRANSISTOR
		or UN521E	TRANSISTOR
Q18		2SB1218A/QR/-X	TRANSISTOR
		or 2SA1576A/QR/-X	TRANSISTOR
		or 2PA1576/R/-X	TRANSISTOR
Q21		2SB1218A/QR/-X	TRANSISTOR
		or 2PA1576/R/-X	TRANSISTOR
		or 2SA1576A/QR/-X	TRANSISTOR
Q24		2SB1218A/QR/-X	TRANSISTOR
		or 2SA1576A/QR/-X	TRANSISTOR
		or 2PA1576/R/-X	TRANSISTOR
Q38		2SD1819A/QRS/-X	TRANSISTOR
		or 2SC4081/QRS/-X	TRANSISTOR
		or 2PC4081/R/-X	TRANSISTOR
Q40		DTC144WU	TRANSISTOR
		or PDTC144WU	TRANSISTOR

#	△ REF No.	PART No.	PART NAME, DESCRIPTION
		or RN1309	TRANSISTOR
		or UN521E	TRANSISTOR
Q41		DTC144WU	TRANSISTOR
		or PDTC144WU	TRANSISTOR
		or RN1309	TRANSISTOR
		or UN521E	TRANSISTOR
Q207		2SB1218A/QR/-X	TRANSISTOR
		or 2SA1576A/QR/-X	TRANSISTOR
		or 2PA1576/R/-X	TRANSISTOR
Q208		2SD1819A/QRS/-X	TRANSISTOR
		or 2PC4081/R/-X	TRANSISTOR
		or 2SC4081/QRS/-X	TRANSISTOR
Q2001		2SC4081/QRS/-X	TRANSISTOR
		or 2SD1819A/QRS/-X	TRANSISTOR
		or 2PC4081/R/-X	TRANSISTOR
Q2002		2SC4081/QRS/-X	TRANSISTOR
		or 2PC4081/R/-X	TRANSISTOR
		or 2SD1819A/QRS/-X	TRANSISTOR
Q2003		DTA144WU	TRANSISTOR
		or PDTA144WU	TRANSISTOR
		or RN2309	TRANSISTOR
		or UN511E	TRANSISTOR
Q2004		DTC114EU	TRANSISTOR
		or PDTC114EU	TRANSISTOR
		or RN1302	TRANSISTOR
		or UN5211	TRANSISTOR
Q2051		2SC4081/QRS/-X	TRANSISTOR
		or 2SD1819A/QRS/-X	TRANSISTOR
		or 2PC4081/R/-X	TRANSISTOR
Q2052		2SA1576A/QR/-X	TRANSISTOR
		or 2PA1576/R/-X	TRANSISTOR
		or 2SB1218A/QR/-X	TRANSISTOR
Q2053		DTC144WU	TRANSISTOR
		or PDTC144WU	TRANSISTOR
		or RN1309	TRANSISTOR
		or UN521E	TRANSISTOR
Q2054		2SA1576A/QR/-X	TRANSISTOR
		or 2SB1218A/QR/-X	TRANSISTOR
		or 2PA1576/R/-X	TRANSISTOR
Q2055		DTC144WU	TRANSISTOR
		or PDTC144WU	TRANSISTOR
		or RN1309	TRANSISTOR
		or UN521E	TRANSISTOR
Q2251		DTA144WU	TRANSISTOR
		or UN511E	TRANSISTOR
		or RN2309	TRANSISTOR
		or PDTA144WU	TRANSISTOR
Q2252		DTC114EU	TRANSISTOR
		or PDTC114EU	TRANSISTOR
		or RN1302	TRANSISTOR
		or UN5211	TRANSISTOR
Q3001		2SD1819A/QRS/-X	TRANSISTOR
		or 2PC4081/R/-X	TRANSISTOR
		or 2SC4081/QRS/-X	TRANSISTOR
Q3002		PTZ-NV16	PHOTO TRANSISTOR
		or PTZ-NV16A	PHOTO TRANSISTOR
Q3003		PTZ-NV16	PHOTO TRANSISTOR
		or PTZ-NV16A	PHOTO TRANSISTOR
Q3004		2SD1819A/QRS/-X	TRANSISTOR
		or 2SC4081/QRS/-X	TRANSISTOR
		or 2PC4081/R/-X	TRANSISTOR
Q3005		2SD1819A/QRS/-X	TRANSISTOR

#	△ REF No.	PART No.	PART NAME, DESCRIPTION	#	△ REF No.	PART No.	PART NAME, DESCRIPTION
		or 2SC4081/QRS/-X	TRANSISTOR	D6		MTZJ5.1C	ZENER DIODE
		or 2PC4081/R/-X	TRANSISTOR	D201		QRE141J-152Y	RESISTOR 1.5kΩ,1/4W
Q3007		UN521E	TRANSISTOR	D202		QRE141J-101Y	RESISTOR 100Ω,1/4W
		or RN1309	TRANSISTOR	D203		QRE141J-101Y	RESISTOR 100Ω,1/4W
		or DTC144WU	TRANSISTOR	D2202		MTZJ8.2C	ZENER DIODE
		or PDTC144WU	TRANSISTOR	D3001		LNB2301L01VI	LE DIODE
Q4001		UN5211	TRANSISTOR	D3002		1SS133	DIODE
		or RN1302	TRANSISTOR			or 1SS270A	DIODE
		or DTC114EU	TRANSISTOR	D3003		RD39ES/B3/-T2	ZENER DIODE
		or PDTC114EU	TRANSISTOR			or MTZJ39C	ZENER DIODE
Q5101		2SK2632-CB14	POWER MOS FET	D3004		11ES2	DIODE
		or 2SK2632	POWER MOS FET			or 1A3G	DIODE
		or 2SK2129	POWER MOS FET	D3005		11ES2	DIODE
		or 2SK2129-LT	POWER MOS FET			or 1A3G	DIODE
Q5102		2SD2144S/UV/-T	TRANSISTOR	D3008		1SS355	DIODE
Q5301		2SB1256	TRANSISTOR	D4001		QUY153-050Y	IM BUS WIRE
Q5302		2SD2375/QP/	TRANSISTOR	D4002		QUY153-050Y	IM BUS WIRE
Q5303		2SD1819A/RS/-X	TRANSISTOR	D5001		S1WB/A/60-4102	BRIDGE DIODE
		or 2SC4081/RS/-X	TRANSISTOR			or S1WB/A/60-X	BRIDGE DIODE
		or 2PC4081/R/-X	TRANSISTOR			or S1WB(A)60F4072X	BRIDGE DIODE
Q5304		2SC3616/ML/-T	TRANSISTOR	D5101		AU01	FR DIODE
Q5305		DTA114EU	TRANSISTOR			or ERA18-04-T2	FR DIODE
		or RN2302	TRANSISTOR			or 1SR153-400-T2	FR DIODE
		or UN5111	TRANSISTOR			or 10ELS4	FR DIODE
		or PDA114EU	TRANSISTOR	D5102		AU01	FR DIODE
Q5306		DTC114EU	TRANSISTOR			or ERA18-04-T2	FR DIODE
		or PDTC114EU	TRANSISTOR			or 1SR153-400-T2	FR DIODE
		or UN5211	TRANSISTOR			or 10ELS4	FR DIODE
		or RN1302	TRANSISTOR	D5103		1SS133	DIODE
Q5308		2SA1576A/RS/-X	TRANSISTOR			or 1SS270A	DIODE
Q5311		DTC114TU	TRANSISTOR	D5105		1SS133	DIODE
		or PDTC114TU	TRANSISTOR			or 1SS270A	DIODE
		or RN1311	TRANSISTOR	D5201		AU01Z	FR DIODE
		or UN5215	TRANSISTOR			or 10ELS2	FR DIODE
Q5312		2SD2144S/UV/-T	TRANSISTOR	D5203		AU01Z	FR DIODE
Q5318		DTA114EU	TRANSISTOR			or 10ELS2	FR DIODE
		or PDA114EU	TRANSISTOR	D5204		AU01Z	FR DIODE
		or RN2302	TRANSISTOR			or 10ELS2	FR DIODE
		or UN5111	TRANSISTOR	D5206		FMB-24	BARRIER DIODE
Q5320		DTC114EU	TRANSISTOR			or SB640FCT	SB DIODE
		or PDTC114EU	TRANSISTOR			or SF5SC4	SB DIODE
		or UN5211	TRANSISTOR			or FSQ05A04B	SB DIODE
		or RN1302	TRANSISTOR			or YG801C04	SB DIODE
Q5322		DTC114TU	TRANSISTOR	D5209		ERA18-02-T2	FR DIODE
		or PDTC114TU	TRANSISTOR			or PG104RS	FR DIODE
		or RN1311	TRANSISTOR			or 1SR153-400-T2	FR DIODE
		or UN5215	TRANSISTOR			or 10ELS2	FR DIODE
Q5323		2SB927/ST/-T	TRANSISTOR	D5210		AU01Z	FR DIODE
Q6030		2SB1218A/QR/-X	TRANSISTOR			or ERA18-02-T2	FR DIODE
		or 2SA1576A/QR/-X	TRANSISTOR			or PG104RS	FR DIODE
		or 2PA1576/R/-X	TRANSISTOR			or 10ELS2	FR DIODE
Q6031		DTC114EU	TRANSISTOR			or 1SR153-400-T2	FR DIODE
		or PDTC114EU	TRANSISTOR	D5211		AU01Z	FR DIODE
		or RN1302	TRANSISTOR			or ERA18-02-T2	FR DIODE
		or UN5211	TRANSISTOR			or 10ELS2	FR DIODE
Q6032		DTC114EU	TRANSISTOR			or 1SR153-400-T2	FR DIODE
		or PDTC114EU	TRANSISTOR			or PG104RS	FR DIODE
		or UN5211	TRANSISTOR	D5301		MTZJ15C	ZENER DIODE
		or RN1302	TRANSISTOR			or RD15ES/B3/-T2	ZENER DIODE
Q7201		2SC1317/RS/-T	TRANSISTOR	D5302		1SS133	DIODE
D1		DA204U	DIODE			or 1SS270A	DIODE

#	△ REF No.	PART No.	PART NAME, DESCRIPTION		#	△ REF No.	PART No.	PART NAME, DESCRIPTION	
D5303		RD5.1JS/B2/-T2	ZENER DIODE		R39		NRSA02J-103X	MG RESISTOR	10kΩ,1/10W
		or MA4051N/M/-T2	ZENER DIODE		R40		NRSA02J-222X	MG RESISTOR	2.2kΩ,1/10W
D5304		1SS133	DIODE		R41		NRSA02J-392X	MG RESISTOR	3.9kΩ,1/10W
		or 1SS270A	DIODE		R42		NRSA02J-681X	MG RESISTOR	680Ω,1/10W
D5305		AK04	DIODE		R46		NRSA02J-561X	MG RESISTOR	560Ω,1/10W
		or 1S4	SB DIODE		R48		QRE141J-102Y	RESISTOR	1kΩ,1/4W
		or 11EQS04	SB DIODE		R51		NRSA02J-122X	MG RESISTOR	1.2kΩ,1/10W
D5307		11ES2	DIODE		R54		NRSA02J-152X	MG RESISTOR	1.5kΩ,1/10W
		or 1A3G	DIODE		R62		NRSA02J-101X	MG RESISTOR	100Ω,1/10W
		or ERA15-02-T2	DIODE		R70		NRSA02J-0R0X	MG RESISTOR	0Ω,1/10W
D5308		MTZJ11B	ZENER DIODE		R77		NRSA02J-103X	MG RESISTOR	10kΩ,1/10W
		or RD11ES/B2/-T2	ZENER DIODE		R88		NRSA02J-0R0X	MG RESISTOR	0Ω,1/10W
D5309		MTZJ27C	ZENER DIODE		R90		NRSA02J-391X	MG RESISTOR	390Ω,1/10W
		or RD27ES/B3/-T2	ZENER DIODE		R92		NRSA02J-152X	MG RESISTOR	1.5kΩ,1/10W
D5310		1SS133	DIODE		R93		NRSA02J-222X	MG RESISTOR	2.2kΩ,1/10W
		or 1SS270A	DIODE		R104		NRSA02J-682X	MG RESISTOR	6.8kΩ,1/10W
D5316		QUY160-100Y	IM BUS WIRE		R113		NRSA02J-101X	MG RESISTOR	100Ω,1/10W
D5317		1SS133	DIODE		R118		NRSA02J-0R0X	MG RESISTOR	0Ω,1/10W
		or 1SS270A	DIODE		R201		NRSA02J-0R0X	MG RESISTOR	0Ω,1/10W
D5318		11ES2	DIODE		R202		NRSA02J-103X	MG RESISTOR	10kΩ,1/10W
		or ERA15-02-T2	DIODE		R208		NRSA02J-222X	MG RESISTOR	2.2kΩ,1/10W
		or 1A3G	DIODE		R209		NRSA02J-512X	MG RESISTOR	5.1kΩ,1/10W
D5319		11ES2	DIODE		R210		NRSA02J-182X	MG RESISTOR	1.8kΩ,1/10W
		or 1A3G	DIODE		R211		NRSA02J-562X	MG RESISTOR	5.6kΩ,1/10W
		or ERA15-02-T2	DIODE		R212		NRSA02J-101X	MG RESISTOR	100Ω,1/10W
D6002		HZ30-2L-T2	ZENER DIODE		R213		QRE141J-0R0Y	RESISTOR	0Ω,1/4W
		or HZ30-2LTD	Z DIODE (M)		R216		NRSA02J-103X	MG RESISTOR	10kΩ,1/10W
D7001		RD9.1ES/B2/-T2	ZENER DIODE		R224		NRSA02J-101X	MG RESISTOR	100Ω,1/10W
		or MTZJ9.1B	ZENER DIODE		R225		NRSA02J-471X	MG RESISTOR	470Ω,1/10W
		or UZ9.1BSB	ZENER DIODE		R226		NRSA02J-102X	MG RESISTOR	1kΩ,1/10W
D7003		1SS133	DIODE		R2001		NRSA02J-681X	MG RESISTOR	680Ω,1/10W
		or 1SS270A	DIODE		R2002		NRSA02J-272X	MG RESISTOR	2.7kΩ,1/10W
D7004		1SS133	DIODE		R2003		NRSA02J-101X	MG RESISTOR	100Ω,1/10W
		or 1SS270A	DIODE		R2005		NRSA02J-0R0X	MG RESISTOR	0Ω,1/10W
D7005		1SS133	DIODE		R2006		NRSA02J-393X	MG RESISTOR	39kΩ,1/10W
		or 1SS270A	DIODE		R2007		NRSA02J-393X	MG RESISTOR	39kΩ,1/10W
D7008		SLR-325MC-T	LE DIODE		R2008		NRSA02J-123X	MG RESISTOR	12kΩ,1/10W
D7009		SLR-325VC-T	LE DIODE		R2009		NRSA02J-123X	MG RESISTOR	12kΩ,1/10W
R1		NRVA02D-682X	CMF RESISTOR	6.8kΩ,1/10W	R2010		NRSA02J-123X	MG RESISTOR	12kΩ,1/10W
R2		NRVA02D-152X	CMF RESISTOR	1.5kΩ,1/10W	R2013		NRSA02J-682X	MG RESISTOR	6.8kΩ,1/10W
R3		NRSA02J-182X	MG RESISTOR	1.8kΩ,1/10W	R2014		NRSA02J-224X	MG RESISTOR	220kΩ,1/10W
R4		NRSA02J-0R0X	MG RESISTOR	0Ω,1/10W	R2015		NRSA02J-181X	MG RESISTOR	180Ω,1/10W
R5		NRSA02J-0R0X	MG RESISTOR	0Ω,1/10W	R2016		NRSA02J-393X	MG RESISTOR	39kΩ,1/10W
R6		NRSA02J-273X	MG RESISTOR	27kΩ,1/10W	R2017		NRSA02J-183X	MG RESISTOR	18kΩ,1/10W
R7		NRSA02J-681X	MG RESISTOR	680Ω,1/10W	R2018		NRSA02J-472X	MG RESISTOR	4.7kΩ,1/10W
R8		NRSA02J-0R0X	MG RESISTOR	0Ω,1/10W	R2019		NRSA02J-472X	MG RESISTOR	4.7kΩ,1/10W
R9		NRSA02J-0R0X	MG RESISTOR	0Ω,1/10W	R2053		NRSA02J-472X	MG RESISTOR	4.7kΩ,1/10W
R21		NRSA02J-0R0X	MG RESISTOR	0Ω,1/10W	R2054		NRSA02J-123X	MG RESISTOR	12kΩ,1/10W
R22		NRSA02J-0R0X	MG RESISTOR	0Ω,1/10W	R2055		NRSA02J-3R3X	MG RESISTOR	3.3Ω,1/10W
R23		NRSA02J-182X	MG RESISTOR	1.8kΩ,1/10W	R2056		NRSA02J-820X	MG RESISTOR	82Ω,1/10W
R25		NRSA02J-103X	MG RESISTOR	10kΩ,1/10W	R2057		NRSA02J-473X	MG RESISTOR	47kΩ,1/10W
R26		NRSA02J-682X	MG RESISTOR	6.8kΩ,1/10W	R2058		NRSA02J-183X	MG RESISTOR	18kΩ,1/10W
R27		NRSA02J-221X	MG RESISTOR	220Ω,1/10W	R2059		NRSA02J-473X	MG RESISTOR	47kΩ,1/10W
R28		NRSA02J-221X	MG RESISTOR	220Ω,1/10W	R2060		NRSA02J-183X	MG RESISTOR	18kΩ,1/10W
R29		NRSA02J-561X	MG RESISTOR	560Ω,1/10W	R2201		QRE141J-121Y	RESISTOR	120Ω,1/4W
R30		NRSA02J-0R0X	MG RESISTOR	0Ω,1/10W	R2202		NRSA02J-222X	MG RESISTOR	2.2kΩ,1/10W
R31		NRSA02J-152X	MG RESISTOR	1.5kΩ,1/10W	R2203		NRSA02J-222X	MG RESISTOR	2.2kΩ,1/10W
R32		NRSA02J-471X	MG RESISTOR	470Ω,1/10W	R2204		NRSA02J-102X	MG RESISTOR	1kΩ,1/10W
R33		NRSA02J-153X	MG RESISTOR	15kΩ,1/10W	R2205		NRSA02J-102X	MG RESISTOR	1kΩ,1/10W
R36		NRSA02J-182X	MG RESISTOR	1.8kΩ,1/10W	R2206		NRSA02J-101X	MG RESISTOR	100Ω,1/10W
R38		NRSA02J-102X	MG RESISTOR	1kΩ,1/10W	R2208		NRSA02J-101X	MG RESISTOR	100Ω,1/10W

#	△	REF No.	PART No.	PART NAME, DESCRIPTION	#	△	REF No.	PART No.	PART NAME, DESCRIPTION
R2209			NRSA02J-101X	MG RESISTOR	R3060			NRSA02J-102X	MG RESISTOR
R2210			NRSA02J-103X	MG RESISTOR	R3061			NRSA02J-102X	MG RESISTOR
R2211			NRSA02J-103X	MG RESISTOR	R3062			NRSA02J-103X	MG RESISTOR
R2213			NRSA02J-393X	MG RESISTOR	R3063			NRSA02J-0R0X	MG RESISTOR
R2215			NRSA02J-153X	MG RESISTOR	R3066			NRSA02J-472X	MG RESISTOR
R2217			NRSA02J-0R0X	MG RESISTOR	R3069			NRSA02J-101X	MG RESISTOR
R2218			NRSA02J-393X	MG RESISTOR	R3071			NRSA02J-103X	MG RESISTOR
R2219			NRSA02J-393X	MG RESISTOR	R3072			NRSA02J-0R0X	MG RESISTOR
R2220			NRSA02J-393X	MG RESISTOR	R3073			NRSA02J-0R0X	MG RESISTOR
R2222			NRSA02J-123X	MG RESISTOR	R3074			NRSA02J-0R0X	MG RESISTOR
R2223			NRSA02J-123X	MG RESISTOR	R3075			NRSA02J-471X	MG RESISTOR
R2224			NRSA02J-123X	MG RESISTOR	R3076			NRSA02J-471X	MG RESISTOR
R2225			NRSA02J-153X	MG RESISTOR	R3077			NRSA02J-0R0X	MG RESISTOR
R2226			NRSA02J-123X	MG RESISTOR	R3078			NRSA02J-0R0X	MG RESISTOR
R2227			NRSA02J-123X	MG RESISTOR	R3079			NRSA02J-0R0X	MG RESISTOR
R2228			NRSA02J-103X	MG RESISTOR	R3080			NRSA02J-0R0X	MG RESISTOR
R2229			NRSA02J-563X	MG RESISTOR	R3081			NRSA02J-0R0X	MG RESISTOR
R2251			NRSA02J-102X	MG RESISTOR	R3083			NRSA02J-0R0X	MG RESISTOR
R3011			NRSA02J-102X	MG RESISTOR	R3085			NRSA02J-222X	MG RESISTOR
R3012			NRSA02J-102X	MG RESISTOR	R3086			NRSA02J-222X	MG RESISTOR
R3013			NRSA02J-102X	MG RESISTOR	R3087			NRSA02J-0R0X	MG RESISTOR
R3014			NRSA02J-102X	MG RESISTOR	R3088			NRSA02J-0R0X	MG RESISTOR
R3015			NRSA02J-102X	MG RESISTOR	R3089			NRSA02J-0R0X	MG RESISTOR
R3016			NRSA02J-102X	MG RESISTOR	R3091			NRSA02J-0R0X	MG RESISTOR
R3017			NRSA02J-102X	MG RESISTOR	R3092			NRSA02J-102X	MG RESISTOR
R3018			NRSA02J-682X	MG RESISTOR	R3093			NRSA02J-0R0X	MG RESISTOR
R3019			NRSA02J-102X	MG RESISTOR	R3094			NRSA02J-0R0X	MG RESISTOR
R3020			NRSA02J-102X	MG RESISTOR	R3095			NRSA02J-0R0X	MG RESISTOR
R3021			NRSA02J-102X	MG RESISTOR	R3096			NRSA02J-0R0X	MG RESISTOR
R3022			NRSA02J-102X	MG RESISTOR	R3097			NRSA02J-0R0X	MG RESISTOR
R3025			NRSA02J-102X	MG RESISTOR	R3103			NRSA02J-0R0X	MG RESISTOR
R3026			NRSA02J-102X	MG RESISTOR	R3104			NRSA02J-0R0X	MG RESISTOR
R3027			NRSA02J-102X	MG RESISTOR	R3105			NRSA02J-0R0X	MG RESISTOR
R3029			NRSA02J-102X	MG RESISTOR	R3106			NRSA02J-0R0X	MG RESISTOR
R3030			NRSA02J-102X	MG RESISTOR	R3201			NRSA02J-103X	MG RESISTOR
R3031			NRSA02J-102X	MG RESISTOR	R3202			NRSA02J-472X	MG RESISTOR
R3032			NRSA02J-102X	MG RESISTOR	R3203			NRSA02J-103X	MG RESISTOR
R3033			NRSA02J-0R0X	MG RESISTOR	R3204			NRSA02J-222X	MG RESISTOR
R3034			NRSA02J-0R0X	MG RESISTOR	R3205			QRE141J-181Y	RESISTOR
R3035			NRSA02J-0R0X	MG RESISTOR	R3206			NRSA02J-183X	MG RESISTOR
R3036			NRSA02J-0R0X	MG RESISTOR	R3207			QRE141J-183Y	RESISTOR
R3038			NRSA02J-152X	MG RESISTOR	R3208			NRSA02J-181X	MG RESISTOR
R3039			NRSA02J-102X	MG RESISTOR	R3209			NRSA02J-273X	MG RESISTOR
R3040			NRSA02J-472X	MG RESISTOR	R3210			NRSA02J-181X	MG RESISTOR
R3041			NRSA02J-0R0X	MG RESISTOR	R3211			NRSA02J-273X	MG RESISTOR
R3042			NRSA02J-0R0X	MG RESISTOR	R3212			QRE141J-474Y	RESISTOR
R3044			NRSA02J-0R0X	MG RESISTOR	R3213			NRSA02J-334X	MG RESISTOR
R3046			NRSA02J-102X	MG RESISTOR	R3214			NRSA02J-103X	MG RESISTOR
R3047			NRSA02J-102X	MG RESISTOR	R3215			NRSA02J-103X	MG RESISTOR
R3048			NRSA02J-0R0X	MG RESISTOR	R3216			NRSA02J-103X	MG RESISTOR
R3049			NRSA02J-0R0X	MG RESISTOR	R3217			QRE141J-562Y	RESISTOR
R3050			NRSA02J-0R0X	MG RESISTOR	R3218			QRE141J-472Y	RESISTOR
R3051			NRSA02J-471X	MG RESISTOR	R3219			NRSA02J-472X	MG RESISTOR
R3052			NRSA02J-471X	MG RESISTOR	R3220			NRSA02J-104X	MG RESISTOR
R3053			NRSA02J-471X	MG RESISTOR	R3222			NRSA02J-472X	MG RESISTOR
R3054			NRSA02J-102X	MG RESISTOR	R3223			NRSA02J-472X	MG RESISTOR
R3055			NRSA02J-102X	MG RESISTOR	R3224			NRSA02J-472X	MG RESISTOR
R3056			NRSA02J-102X	MG RESISTOR	R3225			NRSA02J-103X	MG RESISTOR
R3057			NRSA02J-102X	MG RESISTOR	R3229			NRSA02J-105X	MG RESISTOR
R3058			NRSA02J-102X	MG RESISTOR	R3230			NRSA02J-472X	MG RESISTOR
R3059			NRSA02J-0R0X	MG RESISTOR	R3231			NRSA02J-102X	MG RESISTOR

#	△ REF No.	PART No.	PART NAME, DESCRIPTION	#	△ REF No.	PART No.	PART NAME, DESCRIPTION
	R3233	NRSA02J-103X	MG RESISTOR 10kΩ,1/10W		R5332	QRE141J-222Y	RESISTOR 2.2kΩ,1/4W
	R3234	NRSA02J-103X	MG RESISTOR 10kΩ,1/10W		R5344	NRSA02J-472X	MG RESISTOR 4.7kΩ,1/10W
	R3235	NRSA02J-332X	MG RESISTOR 3.3kΩ,1/10W		R5345	QRE121J-561Y	RESISTOR 560Ω,1/2W
	R3236	NRSA02J-332X	MG RESISTOR 3.3kΩ,1/10W		R6020	NRSA02J-102X	MG RESISTOR 1kΩ,1/10W
	R3237	NRSA02J-103X	MG RESISTOR 10kΩ,1/10W		R6021	NRSA02J-102X	MG RESISTOR 1kΩ,1/10W
	R3238	NRSA02J-103X	MG RESISTOR 10kΩ,1/10W		R6030	NRSA02J-102X	MG RESISTOR 1kΩ,1/10W
	R3239	NRSA02J-103X	MG RESISTOR 10kΩ,1/10W		R6031	NRSA02J-271X	MG RESISTOR 270Ω,1/10W
	R3240	NRSA02J-103X	MG RESISTOR 10kΩ,1/10W		R6032	NRSA02J-472X	MG RESISTOR 4.7kΩ,1/10W
	R3241	QRE141J-104Y	RESISTOR 100kΩ,1/4W		R6033	NRSA02J-182X	MG RESISTOR 1.8kΩ,1/10W
	R3242	NRSA02J-472X	MG RESISTOR 4.7kΩ,1/10W		R6050	QRE141J-101Y	RESISTOR 100Ω,1/4W
	R4003	NRSA02J-561X	MG RESISTOR 560Ω,1/10W		R6051	NRSA02J-101X	MG RESISTOR 100Ω,1/10W
	R4004	NRSA02J-561X	MG RESISTOR 560Ω,1/10W		R6052	NRSA02J-101X	MG RESISTOR 100Ω,1/10W
	R4005	NRSA02J-562X	MG RESISTOR 5.6kΩ,1/10W		R7001	NRSA02J-103X	MG RESISTOR 10kΩ,1/10W
	R4007	NRSA02J-102X	MG RESISTOR 1kΩ,1/10W		R7002	NRSA02J-103X	MG RESISTOR 10kΩ,1/10W
	R4008	NRSA02J-102X	MG RESISTOR 1kΩ,1/10W		R7003	NRSA02J-103X	MG RESISTOR 10kΩ,1/10W
	R4009	NRSA02J-102X	MG RESISTOR 1kΩ,1/10W		R7004	NRSA02J-103X	MG RESISTOR 10kΩ,1/10W
	R4010	NRSA02J-103X	MG RESISTOR 10kΩ,1/10W		R7005	NRSA02J-472X	MG RESISTOR 4.7kΩ,1/10W
	R4011	NRSA02J-472X	MG RESISTOR 4.7kΩ,1/10W		R7006	NRSA02J-471X	MG RESISTOR 470Ω,1/10W
	R4012	NRSA02J-222X	MG RESISTOR 2.2kΩ,1/10W		R7007	QRE141J-103Y	RESISTOR 10kΩ,1/4W
	R4013	NRSA02J-102X	MG RESISTOR 1kΩ,1/10W		R7008	QRE141J-563Y	RESISTOR 56kΩ,1/4W
	R4015	NRSA02J-562X	MG RESISTOR 5.6kΩ,1/10W		R7009	QRE141J-103Y	RESISTOR 10kΩ,1/4W
	R4017	NRSA02J-102X	MG RESISTOR 1kΩ,1/10W		R7010	NRSA02J-0R0X	MG RESISTOR 0Ω,1/10W
	R4018	NRSA02J-102X	MG RESISTOR 1kΩ,1/10W		R7011	NRSA02J-333X	MG RESISTOR 33kΩ,1/10W
	R4019	NRSA02J-103X	MG RESISTOR 10kΩ,1/10W		R7012	NRSA02J-333X	MG RESISTOR 33kΩ,1/10W
	R4020	NRSA02J-103X	MG RESISTOR 10kΩ,1/10W		R7013	NRSA02J-333X	MG RESISTOR 33kΩ,1/10W
	R4021	NRSA02J-103X	MG RESISTOR 10kΩ,1/10W		R7014	NRSA02J-333X	MG RESISTOR 33kΩ,1/10W
	R5101	QRE141J-334Y	RESISTOR 330kΩ,1/4W		R7015	QRE141J-472Y	RESISTOR 4.7kΩ,1/4W
	R5102	QRE141J-334Y	RESISTOR 330kΩ,1/4W		R7016	NRSA02J-103X	MG RESISTOR 10kΩ,1/10W
	R5103	QRE141J-683Y	RESISTOR 68kΩ,1/4W		R7017	NRSA02J-331X	MG RESISTOR 330Ω,1/10W
	R5104	QRG029J-154G	OMF RESISTOR 150kΩ,2W		R7018	NRSA02J-331X	MG RESISTOR 330Ω,1/10W
	R5106	QRT01DJ-R39X	MF RESISTOR 0.39Ω,1W		R7160	NRSA02J-101X	MG RESISTOR 100Ω,1/10W
	R5107	QRE121J-331Y	RESISTOR 330Ω,1/2W		R7161	NRSA02J-101X	MG RESISTOR 100Ω,1/10W
	R5108	NRSA02J-122X	MG RESISTOR 1.2kΩ,1/10W		R7162	NRSA02J-101X	MG RESISTOR 100Ω,1/10W
	R5109	QRE141J-681Y	RESISTOR 680Ω,1/4W		R7163	NRSA02J-750X	MG RESISTOR 75Ω,1/10W
	R5110	NRSA02J-224X	MG RESISTOR 220kΩ,1/10W		R7202	NRSA02J-221X	MG RESISTOR 220Ω,1/10W
	R5111	NRSA02J-561X	MG RESISTOR 560Ω,1/10W		R7203	NRSA02J-472X	MG RESISTOR 4.7kΩ,1/10W
	R5112	NRSA02J-221X	MG RESISTOR 220Ω,1/10W		R7204	QRE121J-100Y	RESISTOR 10Ω,1/2W
	R5301	NRSA02J-472X	MG RESISTOR 4.7kΩ,1/10W		B3	NRSA02J-0R0X	MG RESISTOR 0Ω,1/10W
	R5302	NRSA02J-102X	MG RESISTOR 1kΩ,1/10W		B12	QUY160-220Y	IM BUS WIRE
	R5303	NRSA02J-122X	MG RESISTOR 1.2kΩ,1/10W		B52	NRSA02J-0R0X	MG RESISTOR 0Ω,1/10W
	R5304	NRSA02J-471X	MG RESISTOR 470Ω,1/10W		B65	NRSA02J-0R0X	MG RESISTOR 0Ω,1/10W
	R5305	NRSA02J-102X	MG RESISTOR 1kΩ,1/10W		B203	QUY153-050Y	IM BUS WIRE
	R5306	NRSA02J-221X	MG RESISTOR 220Ω,1/10W		B204	QUY153-050Y	IM BUS WIRE
	R5308	NRSA02J-471X	MG RESISTOR 470Ω,1/10W		B214	QUY160-280Y	IM BUS WIRE
	R5309	NRSA02J-103X	MG RESISTOR 10kΩ,1/10W		B2051	QUY153-050Y	IM BUS WIRE
	R5310	NRSA02J-221X	MG RESISTOR 220Ω,1/10W		B3004	QUY160-120Y	IM BUS WIRE
	R5311	NRSA02J-103X	MG RESISTOR 10kΩ,1/10W		B3179	NRSA02J-0R0X	MG RESISTOR 0Ω,1/10W
	R5312	NRVA02D-332X	CMF RESISTOR 3.3kΩ,1/10W		B5302	NRSA02J-0R0X	MG RESISTOR 0Ω,1/10W
	R5313	NRVA02D-332X	CMF RESISTOR 3.3kΩ,1/10W		B5304	NRSA02J-0R0X	MG RESISTOR 0Ω,1/10W
	R5314	NRSA02J-102X	MG RESISTOR 1kΩ,1/10W		C1	NCB21HK-103X	CAPACITOR 0.01μF,50V
	R5316	NRVA02D-123X	CMF RESISTOR 12kΩ,1/10W		C2	NCB21HK-103X	CAPACITOR 0.01μF,50V
	R5317	NRSA02J-473X	MG RESISTOR 47kΩ,1/10W		C3	NCB21HK-103X	CAPACITOR 0.01μF,50V
△	R5318	QRZ9005-221X	FUSI RESISTOR 220Ω,1/4W		C4	NCB21HK-103X	CAPACITOR 0.01μF,50V
	R5320	NRSA02J-273X	MG RESISTOR 27kΩ,1/10W		C5	QEKJ0JM-476	E CAPACITOR 47μF,6.3V
	R5321	NRSA02J-273X	MG RESISTOR 27kΩ,1/10W		C6	QCB11HK-103	CAPACITOR 0.01μF,50V
	R5324	NRSA02J-472X	MG RESISTOR 4.7kΩ,1/10W		C7	NCB21HK-102X	CAPACITOR 0.001μF,50V
	R5325	QRE141J-222Y	RESISTOR 2.2kΩ,1/4W		C8	NCB21EK-104X	CAPACITOR 0.1μF,25V
	R5326	QUY153-050Y	IM BUS WIRE		C9	QEKJ1HM-225	E CAPACITOR 2.2μF,50V
	R5327	NRSA02J-222X	MG RESISTOR 2.2kΩ,1/10W		C10	NDC21HG-151X	CAPACITOR 150pF,50V
	R5329	NRSA02J-102X	MG RESISTOR 1kΩ,1/10W		C11	NCB21EK-104X	CAPACITOR 0.1μF,25V
	R5330	NRSA02J-102X	MG RESISTOR 1kΩ,1/10W		C12	NDC21HJ-8R0X	CAPACITOR 8pF,50V

#	△	REF No.	PART No.	PART NAME, DESCRIPTION	#	△	REF No.	PART No.	PART NAME, DESCRIPTION
C14			NCB21EK-104X	CAPACITOR	C225		QERF1AM-227	E CAPACITOR	220µF,10V
C15			NCB21HK-103X	CAPACITOR	C2001		QEKJ1HM-475	E CAPACITOR	4.7µF,50V
C16			NCB21EK-104X	CAPACITOR	C2002		QEKJ1EM-106	E CAPACITOR	10µF,25V
C17			QEKJ1HM-335	E CAPACITOR	C2003		QEKJ0JM-476	E CAPACITOR	47µF,6.3V
C19			QEKJ1HM-225	E CAPACITOR	C2005		QEKJ1HM-475	E CAPACITOR	4.7µF,50V
C20			QEKJ1HM-105	E CAPACITOR	C2006		NCB21EK-123X	CAPACITOR	0.012µF,25V
C21			NCB21EK-104X	CAPACITOR	C2007		QEKJ1CM-226	E CAPACITOR	22µF,16V
C22			QEKJ0JM-476	E CAPACITOR	C2008		QEKJ1HM-475	E CAPACITOR	4.7µF,50V
C23			NCB21EK-104X	CAPACITOR	C2009		NCB21HK-102X	CAPACITOR	0.001µF,50V
C24			QCB1HK-104	CAPACITOR	C2010		NCB21HK-152X	CAPACITOR	0.0015µF,50V
C25			NDC21HJ-6R0X	CAPACITOR	C2011		QEKJ1HM-475	E CAPACITOR	4.7µF,50V
C26			NCB21EK-104X	CAPACITOR	C2012		QEKJ1HM-475	E CAPACITOR	4.7µF,50V
C27			NCB21HK-223X	CAPACITOR	C2013		NDC21HJ-680X	CAPACITOR	68pF,50V
C28			QEKJ1HM-335	E CAPACITOR	C2015		NCB21HK-682X	CAPACITOR	0.0068µF,50V
C29			NCB21EK-333X	CAPACITOR	C2051		NCB21HK-331X	CAPACITOR	330pF,50V
C30			NCB21CK-474X	CAPACITOR	C2052		QFLC1HJ-823Z	F CAPACITOR	0.082µF,50V
C31			QEKJ0JM-476	E CAPACITOR	C2053		NCB21HK-472X	CAPACITOR	0.0047µF,50V
C32			QCB1HK-104	CAPACITOR	C2054		NCB21HK-223X	CAPACITOR	0.022µF,50V
C33			QEKJ1HM-225	E CAPACITOR	C2055		QEKJ1EM-106	E CAPACITOR	10µF,25V
C34			NCB21EK-104X	CAPACITOR	C2201		NCB21EK-104X	CAPACITOR	0.1µF,25V
C35			NCB21HK-103X	CAPACITOR	C2202		NCB21EK-333X	CAPACITOR	0.033µF,25V
C36			QEKJ1HM-475	E CAPACITOR	C2203		QEKJ1EM-106	E CAPACITOR	10µF,25V
C37			QEKJ1HM-105	E CAPACITOR	C2204		QDGB1HK-102Y	CAPACITOR	0.001µF,50V
C38			QEKJ0JM-476	E CAPACITOR	C2205		QEKJ1HM-105	E CAPACITOR	1µF,50V
C39			NCB21EK-104X	CAPACITOR	C2206		QEKJ1EM-106	E CAPACITOR	10µF,25V
C40			QEKJ1EM-106	E CAPACITOR	C2207		QEKJ1CM-476	E CAPACITOR	47µF,16V
C45			QCB1HK-104	CAPACITOR	C2208		QEKJ1HM-475	E CAPACITOR	4.7µF,50V
C46			NDC21HJ-101X	CAPACITOR	C2213		QEKJ1EM-106	E CAPACITOR	10µF,25V
C59			NCB21HK-103X	CAPACITOR	C2214		QEKJ1EM-106	E CAPACITOR	10µF,25V
C60			QEKJ0JM-476	E CAPACITOR	C2215		QEKJ1HM-475	E CAPACITOR	4.7µF,50V
C61			NCB21HK-103X	CAPACITOR	C2216		QEKJ1HM-474	E CAPACITOR	0.47µF,50V
C63			NCB21EK-104X	CAPACITOR	C2217		QEKJ1EM-106	E CAPACITOR	10µF,25V
C64			NDC21HJ-220X	CAPACITOR	C2218		QEKJ1HM-474	E CAPACITOR	0.47µF,50V
C65			QEKJ1HM-105	E CAPACITOR	C2219		QEKJ1EM-106	E CAPACITOR	10µF,25V
C69			NCB21EK-104X	CAPACITOR	C2220		QEKJ1HM-475	E CAPACITOR	4.7µF,50V
C70			NCB21EK-104X	CAPACITOR	C2221		NCB21HK-103X	CAPACITOR	0.01µF,50V
C71			NCB21HK-103X	CAPACITOR	C2222		QEKJ1HM-474	E CAPACITOR	0.47µF,50V
C72			NDC21HJ-470X	CAPACITOR	C2223		QEKJ1HM-474	E CAPACITOR	0.47µF,50V
C73			NDC21HJ-120X	CAPACITOR	C2224		NCB21HK-103X	CAPACITOR	0.01µF,50V
C80			NCB21HK-103X	CAPACITOR	C2225		QEKJ1HM-475	E CAPACITOR	4.7µF,50V
C106			NCB21HK-821X	CAPACITOR	C2226		QEKJ1EM-106	E CAPACITOR	10µF,25V
C108			NDC21HJ-680X	CAPACITOR	C2227		NCB21CK-104X	CAPACITOR	0.1µF,16V
C109			NCB21CK-224X	CAPACITOR	C2228		NCB21CK-104X	CAPACITOR	0.1µF,16V
C110			NDC21HJ-820X	CAPACITOR	C2251		QEKJ0JM-476	E CAPACITOR	47µF,6.3V
C114			NDC21HJ-181X	CAPACITOR	C2252		NCB21HK-103X	CAPACITOR	0.01µF,50V
C139			NDC21HJ-470X	CAPACITOR	C2253		NCB21HK-103X	CAPACITOR	0.01µF,50V
C143			QCFB1HZ-104	CAPACITOR	C2254		NCB21HK-103X	CAPACITOR	0.01µF,50V
C201			QEKJ0JM-227	E CAPACITOR	C2255		NDC21HJ-181X	CAPACITOR	180pF,50V
C204			NCB21HK-103X	CAPACITOR	C3001		NCB21EK-104X	CAPACITOR	0.1µF,25V
C206			NDC21HJ-330X	CAPACITOR	C3003		QEKJ1EM-106	E CAPACITOR	10µF,25V
C207			NDC21HJ-330X	CAPACITOR	C3008		NCB21HK-102X	CAPACITOR	0.001µF,50V
C209			NCB21CK-474X	CAPACITOR	C3011		QETL0JM-338	E CAPACITOR	3300µF,6.3V
C210			NDC21HJ-101X	CAPACITOR	C3012		QEKJ0JM-476	E CAPACITOR	47µF,6.3V
C211			NDC21HJ-101X	CAPACITOR	C3014		QEKJ0JM-476	E CAPACITOR	47µF,6.3V
C212			NCB21EK-104X	CAPACITOR	C3015		NCB21EK-104X	CAPACITOR	0.1µF,25V
C213			QERF1EM-475	E CAPACITOR	C3016		NCB21EK-104X	CAPACITOR	0.1µF,25V
C214			NCB21CK-224X	CAPACITOR	C3020		NDC21HJ-101X	CAPACITOR	100pF,50V
C215			NCB21CK-224X	CAPACITOR	C3021		NDC21HJ-101X	CAPACITOR	100pF,50V
C217			NDC21HJ-560X	CAPACITOR	C3022		NCB21EK-104X	CAPACITOR	0.1µF,25V
C218			QERF1HM-105	E CAPACITOR	C3024		NDC21HJ-220X	CAPACITOR	22pF,50V
C222			NCB21CK-105X	CAPACITOR	C3025		QAT3725-300Z	TRIM CAPACITOR,TIMER CLOCK	

#	△ REF No.	PART No.	PART NAME, DESCRIPTION	#	△ REF No.	PART No.	PART NAME, DESCRIPTION
		C3026	NCB21HK-103X CAPACITOR 0.01μF,50V			C7003	QEKJ0JM-227 E CAPACITOR 220μF,6.3V
		C3027	QEKJ1EM-106 E CAPACITOR 10μF,25V			C7005	NDC21HJ-470X CAPACITOR 47pF,50V
		C3030	QEKJ0JM-476 E CAPACITOR 47μF,6.3V			C7006	NDC21HJ-330X CAPACITOR 33pF,50V
		C3031	NCB21EK-104X CAPACITOR 0.1μF,25V			C7007	QEKJ1HM-106 E CAPACITOR 10μF,50V
		C3032	NCB21EK-104X CAPACITOR 0.1μF,25V			C7008	NCB21HK-102X CAPACITOR 0.001μF,50V
		C3033	NCB21EK-104X CAPACITOR 0.1μF,25V			C7011	QCFB1HZ-104 CAPACITOR 0.1μF,50V
		C3036	NDC21HJ-180X CAPACITOR 18pF,50V			C7165	NCB21HK-681X CAPACITOR 680pF,50V
		C3037	NDC21HJ-120X CAPACITOR 12pF,50V			C7167	NCB21HK-681X CAPACITOR 680pF,50V
		C3040	NCB21HK-103X CAPACITOR 0.01μF,50V			C7202	QETJ0JM-477 E CAPACITOR 470μF,6.3V
		C3050	NCB21EK-104X CAPACITOR 0.1μF,25V			L1	QQL29BJ-100Z COIL 10μH
		C4002	NCB21EK-104X CAPACITOR 0.1μF,25V			L2	QQL071J-121Y COIL 120μH
		C4003	NCB21HK-102X CAPACITOR 0.001μF,50V			L3	QQL29BJ-100Z COIL 10μH
		C4004	QEKJ1AM-226 E CAPACITOR 22μF,10V			L4	QQL29BJ-100Z COIL 10μH
		C4005	NCB21HK-222X CAPACITOR 0.0022μF,50V			L5	QQR0521-012Z NOISE FILTER
		C4006	QEKJ0JM-476 E CAPACITOR 47μF,6.3V			L12	QQR0967-001 COIL 12μH
		C4007	NCB21HK-102X CAPACITOR 0.001μF,50V			L13	QQL071J-330Y COIL 33μH
		C4008	NCB21AK-105X CAPACITOR 1μF,10V			L15	QQL29BJ-100Z COIL 10μH
		C4009	NCB21HK-563X CAPACITOR 0.056μF,50V			L18	QQL071J-220Y COIL 22μH
		C4010	NCB21EK-223X CAPACITOR 0.022μF,25V			L19	QQL071J-120Y COIL 12μH
		C4011	NCB21EK-104X CAPACITOR 0.1μF,25V			L20	QUY153-050Y IM BUS WIRE
		C4012	NCB21AK-105X CAPACITOR 1μF,10V			L24	QQL071J-270Y COIL 27μH
		C4013	NCB21HK-563X CAPACITOR 0.056μF,50V			L27	QQL071J-330Y COIL 33μH
		C4014	NDC21HJ-101X CAPACITOR 100pF,50V			L28	QQL071J-680Y COIL 68μH
		C4015	NCB21HK-102X CAPACITOR 0.001μF,50V			L30	QUY153-050Y IM BUS WIRE
△		C5001	QFZ9073-683 F CAPACITOR 0.068μF,250V			L201	QQL29BK-1R0Z COIL 1μH
△		C5002	QFZ9051-333 F CAPACITOR 0.033μF,250V			L202	QUY153-050Y IM BUS WIRE
△		C5004	QCZ9071-222 CAPACITOR 0.0022μF,250V			L203	QQL29BJ-220Z COIL 22μH
		C5006	QEZ0375-686 E CAPACITOR 68μF,400V			L204	QQL29BJ-100Z COIL 10μH
		C5101	QCZ0212-472 CAPACITOR 0.0047μF,1kV			L206	QQL071J-220Y COIL 22μH
		C5102	QCZ0302-330Z CAPACITOR 33pF,1kV			L2001	QUY153-050Y IM BUS WIRE
		C5104	QEKJ1HM-105 E CAPACITOR 1μF,50V			L2251	QQL29BJ-100Z COIL 10μH
		C5105	QFN31HJ-183 F CAPACITOR 0.018μF,50V			L2252	QQL29BJ-151Z COIL 150μH
		C5106	QCBB1HJ-271 CAPACITOR 270pF,50V			L3001	QUY153-050Y IM BUS WIRE
		C5107	QFV91HJ-104 F CAPACITOR 0.1μF,50V			L3011	QUY153-050Y IM BUS WIRE
		C5201	QEMU0JM-227 E CAPACITOR 220μF,6.3V			L3012	QUY153-050Y IM BUS WIRE
		C5202	QEMT1CM-687 E CAPACITOR 680μF,16V			L4001	QUY153-050Y IM BUS WIRE
		C5203	QEMT1AM-128 E CAPACITOR 1200μF,10V			L5201	PELN1184 COIL 33μH
		C5204	QETN2AM-475 E CAPACITOR 4.7μF,100V			L5202	PU60944-330K COIL 33μH
		C5205	QETN1HM-106 E CAPACITOR 10μF,50V			L6001	QQL29BJ-100Z COIL 10μH
		C5206	QETN1EM-476 E CAPACITOR 47μF,25V			L6003	QQL29BJ-470Z COIL 47μH
		C5207	QETN1CM-107 E CAPACITOR 100μF,16V			L7201	QQL29BJ-100Z COIL 10μH
		C5208	QEMU1EM-187 E CAPACITOR 180μF,25V			X1	QAX0576-001Z CRYSTAL RESONATOR
		C5301	QEKJ1CM-107 E CAPACITOR 100μF,16V			X3001	QAX0445-001 CRYSTAL RESONATOR
		C5302	QEKJ1CM-476 E CAPACITOR 47μF,16V			X3002	QAX0527-001 CRYSTAL RESONATOR
		C5303	QEKJ1CM-107 E CAPACITOR 100μF,16V			S3001	QSW0602-004 PUSH SWITCH
		C5304	QFLC1HJ-102Z F CAPACITOR 0.001μF,50V			S3002	QSW0695-001 PUSH SWITCH
		C5305	QFV91HJ-224 F CAPACITOR 0.22μF,50V			S7001	QSW0456-002Z TACT SWITCH
		C5311	NCB21HK-103X CAPACITOR 0.01μF,50V			S7002	QSW0456-002Z TACT SWITCH
		C5351	QUY153-050Y IM BUS WIRE			S7004	QSW0456-002Z TACT SWITCH
		C6007	QEMU0JM-227 E CAPACITOR 220μF,6.3V			S7006	QSW0456-002Z TACT SWITCH
		C6008	NCB21HK-103X CAPACITOR 0.01μF,50V			S7008	QSW0456-002Z TACT SWITCH
		C6012	QEKJ1CM-107 E CAPACITOR 100μF,16V			S7010	QSW0456-002Z TACT SWITCH
		C6013	NCB21HK-103X CAPACITOR 0.01μF,50V			S7012	QSW0456-002Z TACT SWITCH
		C6023	NRSA02J-0R0X MG RESISTOR 0Ω,1/10W			S7016	QSW0456-002Z TACT SWITCH
		C6032	NCF21EZ-473X CAPACITOR 0.047μF,25V			K2001	NQR0403-003X FERRITE BEAD
		C6037	QEKJ1EM-106 E CAPACITOR 10μF,25V			K2002	NQR0403-003X FERRITE BEAD
		C6052	NDC21HJ-101X CAPACITOR 100pF,50V			K2003	NQR0403-003X FERRITE BEAD
		C6053	NDC21HJ-101X CAPACITOR 100pF,50V			K2004	NRSA02J-0R0X MG RESISTOR 0Ω,1/10W
		C6501	QEKJ0JM-107 E CAPACITOR 100μF,6.3V			K2251	NRSA02J-0R0X MG RESISTOR 0Ω,1/10W
		C6502	NCB21HK-103X CAPACITOR 0.01μF,50V			K2252	NRSA02J-0R0X MG RESISTOR 0Ω,1/10W
		C7001	QEKJ0JM-476 E CAPACITOR 47μF,6.3V			K2253	NRSA02J-0R0X MG RESISTOR 0Ω,1/10W

#	△	REF No.	PART No.	PART NAME, DESCRIPTION	
		K5101	QQR0678-001Z	FERRITE BEAD	
		K5102	QUY153-050Y	IM BUS WIRE	
		K5301	QUY153-050Y	IM BUS WIRE	
		K6080	NRSA02J-102X	MG RESISTOR	1kΩ,1/10W
		PC3001	GP3S123	IC(PHOTO SENSOR	
		PC3002	GP3S123	IC(PHOTO SENSOR	
△		PC5101	PS2561L1-1/L/	IC(PHOTO COUPLER)	
		T2051	PELN0832	OSC TRANSFORMER	
△		T5001	QQS0033-001	SW TRANSFORMER	
		TU6001	QAU0208-002	TUNER	
		DI7001	QLF0031-001	FL TUBE	
		ET1	PQ21623-2-5	EARTH PLATE(RF)	
		HD1	PQ35479-1-4	HOLDER(FDP)	
		HS1	LP40621-001A	HEAT SINK,Q5101	
		OT1	QYTD5F3010Z	SCREW,X2	
		OT2	QYTD5T3008Z	SCREW,Q5101	
		SD1	LP30864-001A	SHIELD CASE(PRE)	
		FC5001	QNG0006-001Z	FUSE CLIP	
		FC5002	QNG0006-001Z	FUSE CLIP	
		J7105	QNN0381-002	PIN JACK	
△		LF5001	PELN1204-01-01	LINE FILTER	
△		LF5002	QQR0978-001	LINE FILTER	
		CN1	QGF1028C1-11	FPC CONNECTOR,(1-11)U.DRUM	
		CN901	QGB2024K1-10S	CONNECTOR,(1-10)TERMINAL	
		CN902	QGB2024K1-12S	CONNECTOR,(1-12)TERMINAL	
		CN903	QGB2024K1-10S	CONNECTOR,(1-10)TERMINAL	
		CN904	QGB2024K1-11S	CONNECTOR,(1-11)TERMINAL	
		CN905	QGB2024K1-09S	CONNECTOR,(1-9)TERMINAL	
		CN2001	QGF1207C1-07	FPC CONNECTOR,(1-7)A/C HEAD	
		CN2002	QGB2532J1-02	CONNECTOR,(1-2)FE HEAD	
		CN3001	QGF1207C1-05	FPC CONNECTOR,(1-5)DRUM MDA	
		CN3002	QGB2532J1-02	CONNECTOR,(1-2)LOADING MOTOR	
		CN3003	QGB2015M2-08	CONNECTOR,(1-8)CAPSTAN MOTOR	
		CN3004	QGB2534J2-04	CONNECTOR,(1-4)ROTARY ENCODER	
△		CN5001	QGA7901C3-02	CONNECTOR,(1-2)AC IN	
		CN7001	QGF1207C1-09	FPC CONNECTOR,(1-9)ADV.JOG	
△		CP3002	ICP-N25	CIRCUIT PROTECTOR	
		CP4001	QUY153-050Y	IM BUS WIRE	
△		CP5303	NMFZ012-1R5X-M	FUSE	T1.5A,50V
△		CP5304	NMFZ012-1R0X-M	FUSE	T1.0A,50V
△		F5001	QMF51E2-2R0J1	FUSE	T2.0A,AC250V

2D DIGITAL BOARD ASSEMBLY <05>

		PW1	LPA10090-07A	2D DIGITAL BOARD ASSY	
		IC1201	JCP8036	IC	
△		Q1201	2SC1317/RS/-T	TRANSISTOR	
		Q1202	2SA1576A/QR/-X	TRANSISTOR	
			or 2PA1576/R/-X	TRANSISTOR	
		Q1203	2SA1576A/QR/-X	TRANSISTOR	
			or 2PA1576/R/-X	TRANSISTOR	
		Q1204	2SC4081/QRS/-X	TRANSISTOR	
			or 2PC4081/R/-X	TRANSISTOR	
		Q1205	2SC4081/S/-X	TRANSISTOR	
		Q1206	2SC4081/QRS/-X	TRANSISTOR	
			or 2PC4081/R/-X	TRANSISTOR	
		D1201	RD4.3ES/B3/-T2	ZENER DIODE	

#	△	REF No.	PART No.	PART NAME, DESCRIPTION	
		D1202	QUY153-050Y	IM BUS WIRE	
		R1201	NRSA02J-121X	MG RESISTOR	120Ω,1/10W
		R1202	NRSA02J-101X	MG RESISTOR	100Ω,1/10W
		R1203	NRSA02J-221X	MG RESISTOR	220Ω,1/10W
		R1204	NRSA02J-221X	MG RESISTOR	220Ω,1/10W
		R1205	NRSA02J-102X	MG RESISTOR	1kΩ,1/10W
		R1206	NRSA02J-561X	MG RESISTOR	560Ω,1/10W
		R1207	NRSA02J-562X	MG RESISTOR	5.6kΩ,1/10W
		R1208	NRSA02J-123X	MG RESISTOR	12kΩ,1/10W
		R1209	NRSA02J-180X	MG RESISTOR	18Ω,1/10W
		R1210	NRSA02J-393X	MG RESISTOR	39kΩ,1/10W
		R1211	NRSA02J-103X	MG RESISTOR	10kΩ,1/10W
		R1212	NRSA02J-102X	MG RESISTOR	1kΩ,1/10W
		R1213	NRSA02J-331X	MG RESISTOR	330Ω,1/10W
		R1214	NRSA02J-101X	MG RESISTOR	100Ω,1/10W
		R1215	NRSA02J-102X	MG RESISTOR	1kΩ,1/10W
		R1216	NRSA02J-331X	MG RESISTOR	330Ω,1/10W
		R1217	NRSA02J-101X	MG RESISTOR	100Ω,1/10W
		R1218	NRSA02J-301X	MG RESISTOR	300Ω,1/10W
		R1222	NRSA02J-471X	MG RESISTOR	470Ω,1/10W
		R1224	NRSA02J-561X	MG RESISTOR	560Ω,1/10W
		R1225	NRSA02J-273X	MG RESISTOR	27kΩ,1/10W
		R1226	NRSA02J-153X	MG RESISTOR	15kΩ,1/10W
		R1227	NRSA02J-561X	MG RESISTOR	560Ω,1/10W
		R1228	NRSA02J-391X	MG RESISTOR	390Ω,1/10W
		R1230	NRSA02J-0R0X	MG RESISTOR	0Ω,1/10W
		R1231	NRSA02J-0R0X	MG RESISTOR	0Ω,1/10W
		R1232	NRSA02J-0R0X	MG RESISTOR	0Ω,1/10W
		R1233	NRSA02J-0R0X	MG RESISTOR	0Ω,1/10W
		VR1201	QVZ3521-103Z	V RESISTOR,D/A LEVEL ADJ	
		B1204	NRSA02J-0R0X	MG RESISTOR	0Ω,1/10W
		C1201	QEKJ0JM-476	E CAPACITOR	47μF,6.3V
		C1208	NDC21HJ-101X	CAPACITOR	100pF,50V
		C1210	NDC21HJ-330X	CAPACITOR	33pF,50V
		C1211	QEKJ0JM-476	E CAPACITOR	47μF,6.3V
		C1212	NCB21HK-102X	CAPACITOR	0.001μF,50V
		C1213	NCF21EZ-104X	CAPACITOR	0.1μF,25V
		C1214	NCF21CZ-105X	CAPACITOR	1μF,16V
		C1215	QEKJ0JM-476	E CAPACITOR	47μF,6.3V
		C1216	NCF21EZ-104X	CAPACITOR	0.1μF,25V
		C1217	NCF21EZ-104X	CAPACITOR	0.1μF,25V
		C1218	NCF21EZ-104X	CAPACITOR	0.1μF,25V
		C1219	NCF21CZ-105X	CAPACITOR	1μF,16V
		C1220	QEKJ0JM-476	E CAPACITOR	47μF,6.3V
		C1222	NDC21HJ-820X	CAPACITOR	82pF,50V
		C1223	NDC21HJ-270X	CAPACITOR	27pF,50V
		C1225	NDC21HJ-820X	CAPACITOR	82pF,50V
		C1226	NDC21HJ-270X	CAPACITOR	27pF,50V
		C1227	NCB21EK-104X	CAPACITOR	0.1μF,25V
		C1228	QEKJ1HM-475	E CAPACITOR	4.7μF,50V
		C1229	NCB21HK-103X	CAPACITOR	0.01μF,50V
		C1230	NCF21EZ-104X	CAPACITOR	0.1μF,25V
		C1231	NCF21EZ-104X	CAPACITOR	0.1μF,25V
		C1232	NCF21EZ-104X	CAPACITOR	0.1μF,25V
		C1233	QDYB1CM-103Y	CAPACITOR	0.01μF,16V
		C1234	NCF21EZ-104X	CAPACITOR	0.1μF,25V
		C1235	QEKJ0JM-476	E CAPACITOR	47μF,6.3V
		C1236	NCF21EZ-104X	CAPACITOR	0.1μF,25V
		C1237	NCF21EZ-104X	CAPACITOR	0.1μF,25V
		C1238	NDC21HJ-180X	CAPACITOR	18pF,50V
		C1239	NDC21HJ-560X	CAPACITOR	56pF,50V

#	△ REF No.	PART No.	PART NAME, DESCRIPTION
C1243		NCB21HK-103X	CAPACITOR 0.01μF,50V
C1244		QEKJ1HM-475	E CAPACITOR 4.7μF,50V
C1245		NDC21HJ-150X	CAPACITOR 15pF,50V
C1246		QEKJ0JM-476	E CAPACITOR 47μF,6.3V
C1248		NCB21HK-103X	CAPACITOR 0.01μF,50V
L1201		QQL071J-1R0Y	COIL 1μH
L1202		QQL29BJ-101Z	COIL 100μH
L1203		QQL29BJ-101Z	COIL 100μH
L1204		QQL29BJ-101Z	COIL 100μH
L1205		QQL071J-6R8Y	COIL 6.8μH
L1206		QQL071J-6R8Y	COIL 6.8μH
L1207		QQL29BJ-101Z	COIL 100μH
L1208		QQL071J-150Y	COIL 15μH
L1209		QUY153-050Y	IM BUS WIRE
△ LC1201		QQL29BJ-101Z	COIL 100μH
SD1		LP30706-001C	SHIELD FRAME(S-VHS)
SD2		LP30684-001A	SHIELD CASE(S-VHS)
CN1201		QGG2502K1-17	HEADER PIN

#	△ REF No.	PART No.	PART NAME, DESCRIPTION
		or DTC144WU	TRANSISTOR
Q912		UN5215	TRANSISTOR
		or PDTC114TU	TRANSISTOR
		or RN1311	TRANSISTOR
		or DTC114TU	TRANSISTOR
R503		NRSA02J-221X	MG RESISTOR 220Ω,1/10W
R504		NRSA02J-332X	MG RESISTOR 3.3kΩ,1/10W
R505		NRSA02J-392X	MG RESISTOR 3.9kΩ,1/10W
R506		NRSA02J-391X	MG RESISTOR 390Ω,1/10W
R507		NRSA02J-122X	MG RESISTOR 1.2kΩ,1/10W
R508		NRSA02J-151X	MG RESISTOR 150Ω,1/10W
R509		NRSA02J-162X	MG RESISTOR 1.6kΩ,1/10W
R510		NRVA02D-102X	CMF RESISTOR 1kΩ,1/10W
R511		NRVA02D-471X	CMF RESISTOR 470Ω,1/10W
R512		NRVA02D-102X	CMF RESISTOR 1kΩ,1/10W
R513		NRVA02D-152X	CMF RESISTOR 1.5kΩ,1/10W
R514		NRVA02D-332X	CMF RESISTOR 3.3kΩ,1/10W
R515		NRVA02D-332X	CMF RESISTOR 3.3kΩ,1/10W
R516		QUY160-100Y	IM BUS WIRE
R517		QUY160-100Y	IM BUS WIRE
R525		QRE141J-125Y	RESISTOR 1.2MΩ,1/4W
R527		NRSA02J-332X	MG RESISTOR 3.3kΩ,1/10W
R531		NRSA02J-101X	MG RESISTOR 100Ω,1/10W
R532		NRSA02J-101X	MG RESISTOR 100Ω,1/10W
R533		NRSA02J-101X	MG RESISTOR 100Ω,1/10W
R534		NRSA02J-101X	MG RESISTOR 100Ω,1/10W
R535		NRSA02J-101X	MG RESISTOR 100Ω,1/10W
R536		NRSA02J-101X	MG RESISTOR 100Ω,1/10W
R901		NRSA02J-750X	MG RESISTOR 75Ω,1/10W
R902		NRSA02J-750X	MG RESISTOR 75Ω,1/10W
R903		QRE141J-680Y	RESISTOR 68Ω,1/4W
R904		NQL402M-4R7X	MG RESISTOR
R905		NQL402M-4R7X	MG RESISTOR
R906		QQL231J-100Y	COIL 10μH
R907		QQL231J-100Y	COIL 10μH
R908		NRSA02J-0R0X	MG RESISTOR 0Ω,1/10W
R909		NRSA02J-750X	MG RESISTOR 75Ω,1/10W
R910		NRSA02J-750X	MG RESISTOR 75Ω,1/10W
R911		NRSA02J-750X	MG RESISTOR 75Ω,1/10W
R912		NRSA02J-101X	MG RESISTOR 100Ω,1/10W
R913		NRSA02J-101X	MG RESISTOR 100Ω,1/10W
R914		QQL231J-100Y	COIL 10μH
R915		QQL231J-100Y	COIL 10μH
R916		NRSA02J-102X	MG RESISTOR 1kΩ,1/10W
R917		NRSA02J-0R0X	MG RESISTOR 0Ω,1/10W
R918		NRSA02J-0R0X	MG RESISTOR 0Ω,1/10W
R929		NRSA02J-820X	MG RESISTOR 82Ω,1/10W
R930		NRSA02J-750X	MG RESISTOR 75Ω,1/10W
R931		NRSA02J-101X	MG RESISTOR 100Ω,1/10W
R932		NRSA02J-511X	MG RESISTOR 510Ω,1/10W
R933		NRSA02J-471X	MG RESISTOR 470Ω,1/10W
R934		QRE141J-101Y	RESISTOR 100Ω,1/4W
R935		QRE141J-101Y	RESISTOR 100Ω,1/4W
R936		QRE141J-101Y	RESISTOR 100Ω,1/4W
R937		QRE141J-101Y	RESISTOR 100Ω,1/4W
R938		QRE141J-101Y	RESISTOR 100Ω,1/4W
R939		QRE141J-101Y	RESISTOR 100Ω,1/4W
R940		NRSA02J-103X	MG RESISTOR 10kΩ,1/10W
R941		NRSA02J-332X	MG RESISTOR 3.3kΩ,1/10W
R942		NRSA02J-472X	MG RESISTOR 4.7kΩ,1/10W
R943		NRSA02J-0R0X	MG RESISTOR 0Ω,1/10W

TERMINAL BOARD ASSEMBLY <06>

PW1	LPA10138-01B	TERMINAL BOARD ASSY
IC501	JCP8018	IC
	or JCP8028	IC
	or JCP8028-01	IC
	or JCP8038	IC
IC502	VC2076DP	IC
IC901	BH7636S	IC
Q901	UN5211	TRANSISTOR
	or RN1302	TRANSISTOR
	or DTC114EU	TRANSISTOR
	or PDTC114EU	TRANSISTOR
Q902	2SB1218A/QR/-X	TRANSISTOR
	or 2SA1576A/QR/-X	TRANSISTOR
	or 2PA1576/R/-X	TRANSISTOR
Q905	UN521E	TRANSISTOR
	or PDTC144WU	TRANSISTOR
	or RN1309	TRANSISTOR
	or DTC144WU	TRANSISTOR
Q906	2SD1819A/QRS/-X	TRANSISTOR
	or 2SC4081/QRS/-X	TRANSISTOR
	or 2PC4081/R/-X	TRANSISTOR
Q907	2SD1819A/QRS/-X	TRANSISTOR
	or 2SC4081/QRS/-X	TRANSISTOR
	or 2PC4081/R/-X	TRANSISTOR
Q908	2SD1819A/QRS/-X	TRANSISTOR
	or 2PC4081/R/-X	TRANSISTOR
	or 2SC4081/QRS/-X	TRANSISTOR
Q909	2SB1218A/QR/-X	TRANSISTOR
	or 2SA1576A/QR/-X	TRANSISTOR
	or 2PA1576/R/-X	TRANSISTOR
Q910	2SB1218A/QR/-X	TRANSISTOR
	or 2PA1576/R/-X	TRANSISTOR
	or 2SA1576A/QR/-X	TRANSISTOR
Q911	UN521E	TRANSISTOR
	or PDTC144WU	TRANSISTOR
	or RN1309	TRANSISTOR

#	△	REF No.	PART No.	PART NAME, DESCRIPTION		#	△	REF No.	PART No.	PART NAME, DESCRIPTION	
R944			NRSA02J-272X	MG RESISTOR	2.7kΩ,1/10W	C903			NCB21HK-471X	CAPACITOR	470pF,50V
R945			NRSA02J-102X	MG RESISTOR	1kΩ,1/10W	C904			NCB21HK-471X	CAPACITOR	470pF,50V
R946			NRSA02J-561X	MG RESISTOR	560Ω,1/10W	C905			NCB21HK-331X	CAPACITOR	330pF,50V
R947			NRSA02J-682X	MG RESISTOR	6.8kΩ,1/10W	C906			NCB21HK-331X	CAPACITOR	330pF,50V
R949			QRE121J-331Y	RESISTOR	330Ω,1/2W	C907			NCB21HK-471X	CAPACITOR	470pF,50V
R951			NRSA02J-332X	MG RESISTOR	3.3kΩ,1/10W	C908			NCB21HK-471X	CAPACITOR	470pF,50V
R952			NRSA02J-562X	MG RESISTOR	5.6kΩ,1/10W	C910			NCB21HK-102X	CAPACITOR	0.001μF,50V
R953			NRSA02J-562X	MG RESISTOR	5.6kΩ,1/10W	C912			NCB21HK-102X	CAPACITOR	0.001μF,50V
R964			NRSA02J-101X	MG RESISTOR	100Ω,1/10W	C915			NCB21HK-103X	CAPACITOR	0.01μF,50V
C501			QEKJ1HM-225	E CAPACITOR	2.2μF,50V	C916			NCB21HK-223X	CAPACITOR	0.022μF,50V
C502			QEKJ1HM-475	E CAPACITOR	4.7μF,50V	C917			NCB21HK-223X	CAPACITOR	0.022μF,50V
C503			QEKJ1HM-225	E CAPACITOR	2.2μF,50V	C918			QCB1HK-223	CAPACITOR	0.022μF,50V
C504			NCB21EK-104X	CAPACITOR	0.1μF,25V	C921			NDC21HJ-330X	CAPACITOR	33pF,50V
C505			QEKJ1HM-475	E CAPACITOR	4.7μF,50V	C923			QEKJ1CM-476	E CAPACITOR	47μF,16V
C506			NCB21HK-103X	CAPACITOR	0.01μF,50V	C924			NCB21HK-103X	CAPACITOR	0.01μF,50V
C507			QEKJ0JM-476	E CAPACITOR	47μF,6.3V	C925			NCB21HK-223X	CAPACITOR	0.022μF,50V
C508			QEKJ1HM-474	E CAPACITOR	0.47μF,50V	C927			QEKJ1CM-476	E CAPACITOR	47μF,16V
C509			QEKJ1CM-106	E CAPACITOR	10μF,16V	C928			NCB21HK-103X	CAPACITOR	0.01μF,50V
C510			QEKJ0JM-476	E CAPACITOR	47μF,6.3V	C931			QEKJ1EM-106	E CAPACITOR	10μF,25V
C511			NCB21HK-103X	CAPACITOR	0.01μF,50V	C935			NCB21HK-471X	CAPACITOR	470pF,50V
C512			NCB21HK-103X	CAPACITOR	0.01μF,50V	C936			NCB21HK-471X	CAPACITOR	470pF,50V
C513			QEKJ1HM-475	E CAPACITOR	4.7μF,50V	C937			NCB21HK-331X	CAPACITOR	330pF,50V
C514			NCB21HK-103X	CAPACITOR	0.01μF,50V	C938			NCB21HK-331X	CAPACITOR	330pF,50V
C515			NCB21HK-103X	CAPACITOR	0.01μF,50V	C939			NCB21HK-471X	CAPACITOR	470pF,50V
C516			NCB21HK-103X	CAPACITOR	0.01μF,50V	C940			NCB21HK-471X	CAPACITOR	470pF,50V
C518			NCB21EK-104X	CAPACITOR	0.1μF,25V	C943			QEKJ1CM-107	E CAPACITOR	100μF,16V
C519			QEKJ1HM-225	E CAPACITOR	2.2μF,50V	C945			QEKJ1EM-106	E CAPACITOR	10μF,25V
C520			QEKJ1HM-475	E CAPACITOR	4.7μF,50V	C946			QEKJ1EM-106	E CAPACITOR	10μF,25V
C521			QEKJ1HM-475	E CAPACITOR	4.7μF,50V	C951			QEK1CM-476	E CAPACITOR	47μF,16V
C522			QEKJ1HM-225	E CAPACITOR	2.2μF,50V	C958			NCB21HK-331X	CAPACITOR	330pF,50V
C523			QEKJ1HM-225	E CAPACITOR	2.2μF,50V	C959			NCB21HK-331X	CAPACITOR	330pF,50V
C524			NDC21HG-301X	CAPACITOR	300pF,50V	L501			QQL29BJ-100Z	COIL	10μH
C525			NDC21HG-301X	CAPACITOR	300pF,50V	L503			QQL29BJ-100Z	COIL	10μH
C526			NDC21HJ-101X	CAPACITOR	100pF,50V	L504			QQL29BJ-100Z	COIL	10μH
C527			NDC21HJ-181X	CAPACITOR	180pF,50V	L505			QUY153-050Y	IM BUS WIRE	
C528			NDC21HG-271X	CAPACITOR	270pF,50V	L901			QQL231J-R22Y	COIL	0.22μH
C529			NDC21HG-820X	CAPACITOR	82pF,50V	L902			QQL071J-1R0Y	COIL	1μH
C530			NDC21HG-221X	CAPACITOR	220pF,50V	L903			QQL071J-150Y	COIL	15μH
C531			NDC21HG-301X	CAPACITOR	300pF,50V	L904			QQL071J-150Y	COIL	15μH
C532			NDC21HG-301X	CAPACITOR	300pF,50V	L907			QUY153-050Y	IM BUS WIRE	
C533			NCB21HK-103X	CAPACITOR	0.01μF,50V	L910			QQL071J-1R0Y	COIL	1μH
C534			QEKJ0JM-476	E CAPACITOR	47μF,6.3V	L913			QQL071J-4R7Y	COIL	4.7μH
C535			NCB21HK-103X	CAPACITOR	0.01μF,50V	L914			QQL071J-4R7Y	COIL	4.7μH
C551			QEKJ1HM-105	E CAPACITOR	1μF,50V	L915			QQL071J-4R7Y	COIL	4.7μH
C553			QCB1HK-103	CAPACITOR	0.01μF,50V	L916			QQL071J-4R7Y	COIL	4.7μH
C554			QEKJ1HM-105	E CAPACITOR	1μF,50V	L917			QQL071J-4R7Y	COIL	4.7μH
C556			QCB1HK-103	CAPACITOR	0.01μF,50V	L918			QQL071J-4R7Y	COIL	4.7μH
C557			QEKJ1HM-105	E CAPACITOR	1μF,50V	L919			QQL071J-4R7Y	COIL	4.7μH
C559			NCB21HK-103X	CAPACITOR	0.01μF,50V	L920			QQL071J-4R7Y	COIL	4.7μH
C560			QEKJ1HM-105	E CAPACITOR	1μF,50V	ET1			LP30918-001A	EARTH PLATE	
C561			QEKJ1HM-105	E CAPACITOR	1μF,50V	ET2			LP30915-001A	EARTH PLATE	
C563			NCB21HK-103X	CAPACITOR	0.01μF,50V	△ TB1			LP21028-001A	TERMINAL BOARD	
C568			NDC21HJ-680X	CAPACITOR	68pF,50V	J901			PEMC1177	RGB21PIN SOCKET,AV1	
C569			NDC21HJ-680X	CAPACITOR	68pF,50V	J902			PEMC1177	RGB21PIN SOCKET,AV2	
C570			NDC21HJ-680X	CAPACITOR	68pF,50V	J915			QNN0418-003	PIN JACK,A.OUT(L)	
C571			NDC21HJ-680X	CAPACITOR	68pF,50V	J916			QNN0418-002	PIN JACK,A.OUT(R)	
C572			NDC21HJ-680X	CAPACITOR	68pF,50V	J921			PU60659	MINI JACK,SAT.CTL	
C573			NDC21HJ-680X	CAPACITOR	68pF,50V	OT1			QYTD3F3008Z	SCREW,X6	
C575			NDC21HJ-101X	CAPACITOR	100pF,50V	CN911			QGB2024J1-10S	CONNECTOR,(1-10)MAIN	
C901			NCB21HK-331X	CAPACITOR	330pF,50V	CN912			QGB2024J1-12S	CONNECTOR,(1-12)MAIN	
C902			NCB21HK-331X	CAPACITOR	330pF,50V	CN913			QGB2024J1-10S	CONNECTOR,(1-10)MAIN	

#	△ REF No.	PART No.	PART NAME, DESCRIPTION
CN914		QGB2024J1-11S	CONNECTOR,(1-11)MAIN
CN915		QGB2024J1-09S	CONNECTOR,(1-9)MAIN
CN916		QGF1208F1-04	FPC CONNECTOR,(1-4)S JACK

A/C HEAD BOARD ASSEMBLY <12>

PW1	LP10122-01A1	A/C HEAD BOARD ASSY
CN1	QGF1208F1-07	FPC CONNECTOR

DEMOD BOARD ASSEMBLY <14>

PW1	LPA10060-04A	DEMOD BOARD ASSY	
IC6701	TDA9874AH/V2	IC	
Q6701	2SC3936/BC/-X	TRANSISTOR	
R6701	NRSA02J-102X	MG RESISTOR	1kΩ,1/10W
R6703	NRSA02J-102X	MG RESISTOR	1kΩ,1/10W
R6705	NRSA02J-100X	MG RESISTOR	10Ω,1/10W
R6706	NRSA02J-0R0X	MG RESISTOR	0Ω,1/10W
R6708	NRSA02J-0R0X	MG RESISTOR	0Ω,1/10W
R6711	NRSA02J-822X	MG RESISTOR	8.2kΩ,1/10W
R6715	NRSA02J-100X	MG RESISTOR	10Ω,1/10W
R6716	NRSA02J-101X	MG RESISTOR	100Ω,1/10W
R6717	NRSA02J-101X	MG RESISTOR	100Ω,1/10W
R6719	NRSA02J-3R3X	MG RESISTOR	3.3Ω,1/10W
R6721	NRSA02J-392X	MG RESISTOR	3.9kΩ,1/10W
R6722	NRSA02J-472X	MG RESISTOR	4.7kΩ,1/10W
R6723	NRSA02J-470X	MG RESISTOR	47Ω,1/10W
R6724	NRSA02J-221X	MG RESISTOR	220Ω,1/10W
R6725	NRSA02J-101X	MG RESISTOR	100Ω,1/10W
R6726	NRSA02J-102X	MG RESISTOR	1kΩ,1/10W
B6702	NRSA02J-0R0X	MG RESISTOR	0Ω,1/10W
C6701	QEKJ1HM-225	E CAPACITOR	2.2μF,50V
C6702	NCB21HK-682X	CAPACITOR	0.0068μF,50V
C6703	QEKJ1HM-225	E CAPACITOR	2.2μF,50V
C6704	NCB21HK-682X	CAPACITOR	0.0068μF,50V
C6705	NCF21CZ-474X	CAPACITOR	0.47μF,16V
C6706	NCF21CZ-474X	CAPACITOR	0.47μF,16V
C6713	NRSA02J-0R0X	MG RESISTOR	0Ω,1/10W
C6716	NCF21CZ-474X	CAPACITOR	0.47μF,16V
C6718	NCB21EK-224X	CAPACITOR	0.22μF,25V
C6719	NCB21HK-103X	CAPACITOR	0.01μF,50V
C6720	QEKJ1HM-105	E CAPACITOR	1μF,50V
C6722	NCF21CZ-474X	CAPACITOR	0.47μF,16V
C6723	NDC21HJ-101X	CAPACITOR	100pF,50V
C6724	NDC21HJ-101X	CAPACITOR	100pF,50V
C6728	NCB21HK-103X	CAPACITOR	0.01μF,50V
C6729	QEKJ1HM-225	E CAPACITOR	2.2μF,50V
C6730	QEKJ1CM-476	E CAPACITOR	47μF,16V
C6731	NRSA02J-0R0X	MG RESISTOR	0Ω,1/10W
C6732	NCB21HK-103X	CAPACITOR	0.01μF,50V
C6733	NCB21HK-222X	CAPACITOR	0.0022μF,50V
C6734	NCB21HK-103X	CAPACITOR	0.01μF,50V
L6702	QQL231J-1R0Y	COIL	1μH

#	△ REF No.	PART No.	PART NAME, DESCRIPTION	
L6703		QQL231J-3R3Y	COIL	3.3μH
X6701		QAX0560-001	CRYSTAL RESONATOR	
K6701		NQR0200-003X	FERRITE BEAD	
K6703		NQR0200-003X	FERRITE BEAD	
K6704		NQR0200-003X	FERRITE BEAD	
K6705		NQR0200-003X	FERRITE BEAD	
K6706		NQR0200-003X	FERRITE BEAD	
K6707		NQR0200-003X	FERRITE BEAD	
BK1		LP40425-001A	BRACKET(BOARD)	
CN6701		QGG2502K1-10	HEADER PIN	

S.JACK BOARD ASSEMBLY <36>

PW1	LPA20009-02B	S JACK BORD ASSY
J7102	QND0084-001	S JACK
CN7108	QGF1209F1-04	FPC CONNECTOR,(1-4)MAIN

ADV.JOG BOARD ASSEMBLY <38>

PW1	LPA20013-03B	ADV.JOG BOARD ASSY
UN7001	QSW0905-001	ROTARY ENCODER
CN7003	QGF1209F1-09	FPC CONNECTOR,(1-9)MAIN

LOADING MOTOR BOARD ASSEMBLY <55>

PW2	LP10122-01A2	LOADING MOTOR BOARD ASSY
CN1	QGB2533K1-02	CONNECTOR